

Tool Cabinets

Validity 01.07.2022 - 30.09.2022

PRO LINE COLLECTION

BASIC LINE COLLECTION



KRAFTWERK® Online Catalog: www.kraftwerktools.fr

Art. 102.117.103

BASIC LINE Mobile Tool Cabinet BT700, 7 drawers, 337 pcs.

- MADE IN GERMANY
- 337 tools in 4 special inserts of high density soft foam (EVA) 60 x 40 cm
- Combination Spanners: 6 - 22 mm
- 1/4" + 1/2" Ratchets
- 1/4" Sockets: 4 - 14 mm
- 1/2" Sockets: 10 - 32 mm
- Ball end hex key set: 1.5-10mm
- TX-L-key set: T10-T50
- Files
- Slotted and PH Screwdriver
- Impact / Cutting Tools
- Pliers set
- Optional Art.-No. 3235 Torque Wrench, 1/2", 40-200 Nm



€ 1.239,-

€ 1.439,-



7
Drawers

BT700



ANTI-TILT

Art. 101.117.100	L1	L2	L3	AP
	719 mm	475 mm	1000 mm	450 kg
L4	600 mm	400 mm	75 mm	45 kg
L5	600 mm	400 mm	150 mm	45 kg



Central lock of all drawers
at the side with a cylinder lock.



Rectangular perforated side walls
Easy attachment of accessories.



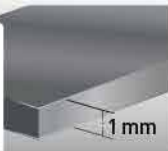
Anti-tilt function
Simultaneous opening of several drawers not possible.



Larger and more stable drawers
Reinforced drawers and drawer runners with full extension.



Construction
Very sturdy double-walled sheet steel construction.



2 swivel castors, with brakes, 2 fix
Thermoplastic rubber wheel, plastic rim.



7 Drawers	BT700	100%	ANTI-TILT
---------------------	--------------	-------------	------------------

Art. 101.117.100	L1	L2	L3	Σ
	719 mm	475 mm	1000 mm	450 kg
L4	600 mm	400 mm	75 mm	45 kg
L5	600 mm	400 mm	150 mm	45 kg

Art. 102.117.104

BASIC LINE Mobile Tool Cabinet BT700, 7 drawers, 301 pcs.

- MADE IN GERMANY
- 301 tools in 6 special inserts of high density soft foam (EVA) 60 x 40 cm
- Combination spanners: 5.5 - 24 mm
- Ratchets: 1/4"+3/8"+1/2"
- 1/4" Sockets: 4 - 14 mm
- 3/8" Sockets: 10 - 24 mm
- 1/2" Sockets: 14 - 32 mm
- 1/4"+1/2" Slotted, PH, PZ, TX, XZ, XZN and Hexagon Screwdriver Bit Sockets:
- 1/4"+3/8"+1/2" Outside TX Sockets
- 5/16" Slotted, PH, PZ, TX, TX with hole, XZ, Hexagon Screwdriver Bits
- Slotted and PH Screwdriver
- Pliers and General Tool
- Ball end hex key set: 1.5-10mm
- TX angle pin wrench set: T10-T50



€ 1.529,-
~~€ 1.739,-~~



7
Drawers

BT700

ANTI-TILT



Art. 101.117.100	L1	L2	L3	ΔT	
	L1	719 mm	475 mm	1000 mm	450 kg
	L4	600 mm	400 mm	75 mm	45 kg
	L5	600 mm	400 mm	150 mm	45 kg



5
Drawers

BT700

ANTI-TILT

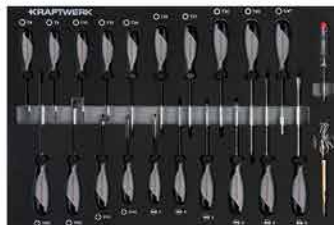


Art. 101.115.100	L1	L2	L3	ΔT	
	L1	719 mm	475 mm	1000 mm	450 kg
	L4	600 mm	400 mm	75 mm	45 kg
	L5	600 mm	400 mm	150 mm	45 kg
	L6	600 mm	400 mm	225 mm	45 kg

Art. 102.117.106

BASIC LINE Mobile Tool Cabinet BT700, 7 drawers, 274 pcs.

- MADE IN GERMANY
- 274 tools in 5 special inserts of high density soft foam (EVA) 60 x 40 cm
- Combination spanners: 5.5 - 24 mm
- Double ended ring spanners 6 - 22 mm
- 1/4" + 3/8" + 1/2" Ratchets
- 1/4" Sockets: 4 - 14 mm
- 3/8" Sockets: 10 - 24 mm
- 1/2" Sockets: 14 - 32 mm
- 1/4" + 5/16" Bit sets
- Slotted, PH PH, TX, bit screwdrivers
- Allen key set: 1,5-10mm
- TX-L-key set: T10-T50
- Screwdriver assortment
- Pliers set

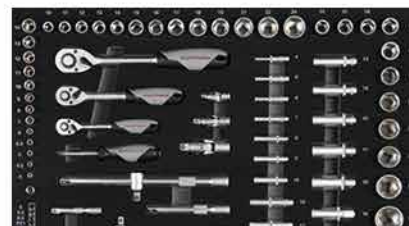


€ 1.440,-
~~€ 1.720,-~~

Art. 102.115.100

BASIC LINE Mobile Tool Cabinet BT700, 5 drawers, 154 pcs.

- MADE IN GERMANY
- 154 tools in 3 special inserts of high density soft foam (EVA) 60 x 40 cm
- Combination spanners: 5.5 - 24 mm
- Ended Ring spanners: 6 - 22 mm
- 1/4" + 3/8" + 1/2" Ratchets
- 1/4" Sockets: 4 - 14 mm
- 3/8" Sockets: 10 - 24 mm
- 1/2" Sockets: 14 - 32 mm
- 3/8" Spark plug Sockets: 16 + 21 mm
- 1/4" Screwdriver bits
- Ball end hex key set: 1.5-10mm
- TX-L-key set: T10-T50
- Various adapters
- Flashlight
- Screwdriver assortment
- Phase tester 110-250V, GS-tested



€ 1.049,-
~~€ 1.246,-~~



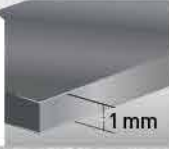
Central lock of all drawers
at the side with a cylinder lock.



Larger and more stable drawers
Reinforced drawers and drawer runners
with full extension.



Construction
Very sturdy double-walled sheet steel
construction.



2 swivel castors, with brakes, 2 fix
Thermoplastic rubber wheel, plastic rim.



Rubber mat
Easy to maintain and removable.
The rubber mat is durable and
non-slip at the same time.



Art. 101.107.100	L1	L2	L3	475
	719 mm	475 mm	1000 mm	450 kg
L4	600 mm	400 mm	75 mm	45 kg
L5	600 mm	400 mm	150 mm	45 kg

Art. 102.107.103

BASIC LINE Mobile Tool Cabinet BT700s, 7 drawers, 337 pcs.

- MADE IN GERMANY
- 337 tools in 4 special inserts of high density soft foam (EVA) 60 x 40 cm
- Combination Spanners: 6 - 22 mm
- 1/4" + 1/2" Ratchets
- 1/4" Sockets: 4 - 14 mm
- 1/2" Sockets: 10 - 32 mm
- Ball end hex key set: 1.5-10mm
- TX-L-key set: T10-T50
- Files
- Slotted and PH Screwdriver
- Impact / Cutting Tools
- Pliers set
- Optional Art.-No. 3235 Torque Wrench, 1/2", 40-200 Nm



€ 1.149,-
~~€ 1.329,-~~

Art. 102.107.104

BASIC LINE Mobile Tool Cabinet BT700s, 7 drawers, 301 pcs.

- MADE IN GERMANY
- 301 tools in 6 special inserts of high density soft foam (EVA) 60 x 40 cm
- Combination spanners: 5.5 - 24 mm
- 1/4"+ 3/8" + 1/2" Ratchets
- 1/4" Sockets: 4 - 14 mm
- 3/8" Sockets: 10 - 24 mm
- 1/2" Sockets: 14 - 32 mm
- 1/4"+1/2" Slotted, PH, PZ, TX, XZN and Hexagon Screwdriver Bit Sockets
- 1/4"+3/8"+1/2" Outside TX Sockets
- 5/16" Slotted, PH, PZ, TX, TX with hole, XZN, Hexagon Screwdriver Bits
- Slotted and PH Screwdriver
- Pliers and General Tool
- Ball end hex key set: 1.5-10mm
- TX angle pin wrench set: T10-T50



€ 1.449,-
~~€ 1.739,-~~



5
Drawers

BT700s



Art. 101.105.100	L1	L2	L3	Σ
	719 mm	475 mm	1000 mm	450 kg
L4	600 mm	400 mm	75 mm	45 kg
L5	600 mm	400 mm	150 mm	45 kg
L6	600 mm	400 mm	225 mm	45 kg



9
Drawers

BT700s



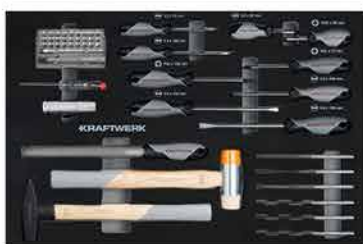
Art. 101.109.100	L1	L2	L3	Σ

NOT AVAILABLE

Art. 102.105.100

BASIC LINE Mobile Tool Cabinet BT700s, 5 drawers, 259 pcs.

- MADE IN GERMANY
- 259 tools in 3 special inserts of high density soft foam (EVA) 60 x 40 cm
- Combination spanners: 6 - 22 mm
- 1/4" + 1/2" Ratchets
- 1/4" Sockets: 4 - 14 mm
- 1/2" Sockets: 10 - 32 mm
- 1/2" Spark plug sockets: 16 + 21 mm
- 1/4" + 5/16" Bit sets
- Various adapters
- Flashlight
- Screwdriver assortment
- Files
- Impact/ Cutting Tools

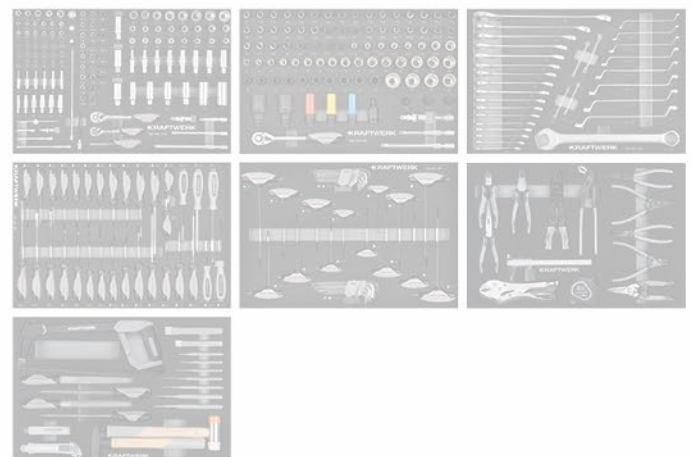


€ 999,-
€ 1.152,-

Art. 102.109.100

BASIC LINE Mobile Tool Cabinet BT700s, 9 drawers, 324 pcs.

- MADE IN GERMANY
- 324 tools in 7 special inserts of high density soft foam (EVA) 60 x 40 cm
- Combination spanners: 5,5 - 32 mm
- Double Ended Ring spanners: 6 - 22 mm
- 1/4" + 3/8" + 1/2" Ratchets
- 1/4" Sockets: 4 - 14 mm
- 3/8" Sockets: 7 - 22 mm
- 1/2" Sockets: 14 - 32 mm
- 1/4" + 3/8" + 1/2" Sockets: TX, outside TX, hexagon socket, XZN, Ribe, Slotted, PH, PZ
- Impact socket 10 - 19 mm
- Slotted, PH, TX Bit Screwdriver
- Pliers assortment
- Screwdriver assortment
- T-handle screwdriver assortment
- Percussion and cutting tools



Central lock of all drawers at the side with a cylinder lock.



Rectangular perforated side walls
Easy attachment of accessories.



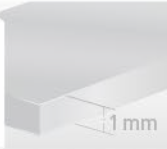
Anti-tilt function
Simultaneous opening of several drawers not possible.



Larger and more stable drawers
Reinforced drawers and drawer runners with full extension.



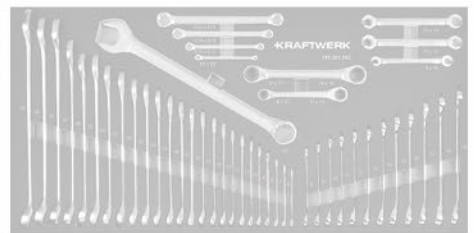
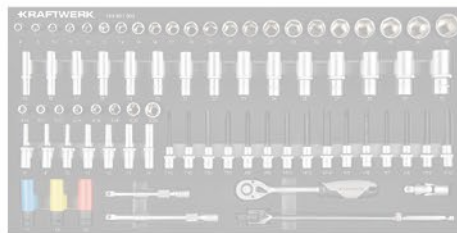
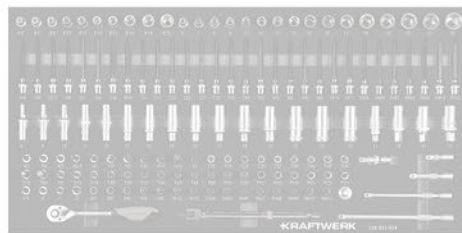
Construction
Very sturdy double-walled sheet steel construction.



7 Drawers	BT900	100%	ANTI-TILT
---------------------	--------------	-------------	------------------

Art. 101.217.100	L1	L2	L3	GT
	919 mm	475 mm	1000 mm	450 kg

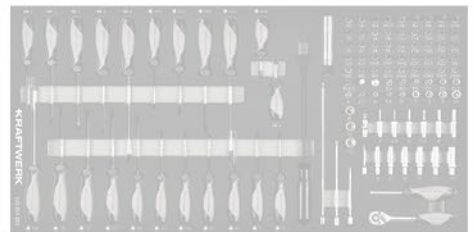
NOT AVAILABLE



Art. 102.217.100

BASIC LINE Mobile Tool Cabinet BT900, 7 drawers, 374 pcs.

- MADE IN GERMANY
- 374 tools in 4 special inserts of high density soft foam (EVA) 80 x 40 cm
- Combination Spanners: 6 - 32 mm
- Reversible Combination Ratchet Spanners: 8 - 19 mm
- Double Ended Ring Spanners: E6 - E24
- 1/4" + 3/8" + 1/2" Ratchets
- 1/4" Sockets: 4 - 13 mm
- 3/8" Sockets: 6 - 22 mm
- 1/2" Sockets: 8 - 32 mm
- 1/4"+3/8"+1/2" Screwdriver Bit Sockets:
- 1/2" Impact Sockets: 17, 19, 21 mm
- Slotted, PH and TX Screwdriver Bits
- Slotted, PH, PZ, TX Screwdriver



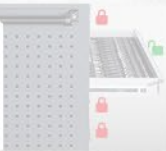
Central lock of all drawers
at the side with a cylinder lock.



Rectangular perforated side walls
Easy attachment of accessories.



Anti-tilt function
Simultaneous opening of several drawers not possible.



Larger and more stable drawers
Reinforced drawers and drawer runners with full extension.



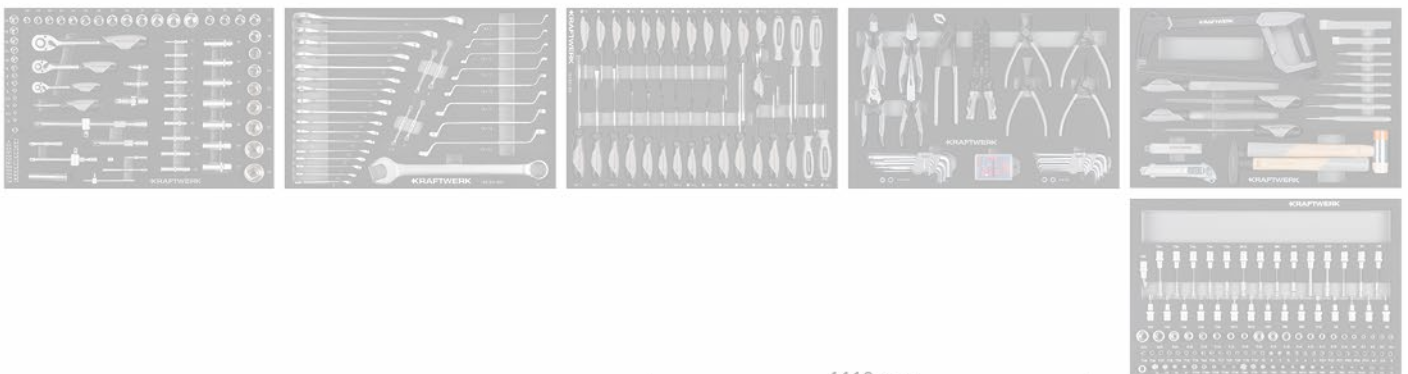
Cabinet
with shelf, 25 kg load capacity.



7 Drawers	BT1100	100%	ANTI-TILT
---------------------	---------------	-------------	------------------

Art. 101.317.100	L1	L2	L3	WT
	1119 mm	475 mm	1000 mm	450 kg

NOT AVAILABLE



Art. 102.317.100

BASIC LINE Mobile Tool Cabinet BT1100, 7 drawers, 360 pcs.

- MADE IN GERMANY
- 360 tools in 6 special inserts of high density soft foam (EVA) 60 x 40 cm
- Combination Spanners: 5,5 - 32 mm
- Double Ended Ring Spanners: 6 - 22 mm
- 1/4" + 3/8" + 1/2" Ratchets
- 1/4" Sockets: 4 - 14 mm
- 3/8" Sockets: 7 - 22 mm
- 1/2" Sockets: 10 - 32 mm
- 1/4"+1/2" Slotted, PH, PZ, TX, XZN and Hexagon Screwdriver Bit Sockets:
- 1/4"+3/8"+1/2" Outside TX Sockets
- 5/16" Slotted, PH, PZ, TX, TX with hole, XZN, Hexagon Screwdriver Bits
- Pliers Set
- Impact / Cutting Tools





Art. 102.117.430

BASIC LINE VDE Mobile Tool Cabinet BT700, 7 drawers, 103 pcs.

- MADE IN GERMANY
- Set of warn and safety High Voltage Signs
- VDE Slotted Screwdriver: 2.5 - 8 mm
- VDE PH Screwdriver: PH0 - PH3
- VDE PZ Screwdriver: PZ0 - PZ3
- VDE TX Screwdriver: T6 - T45
- VDE Hexagon Screwdriver: 2.5 - 8 mm
- Voltage Tester
- VDE Pliers
- 3/8" VDE Ratchet
- 3/8" VDE Sockets: 8 - 22 mm
- VDE Hexagon Nut Driver with T-Handle: 4 - 14 mm
- VDE Ended Spanners: 8 - 19 mm

Art. 101.117.101	L1	L2	L3	⚡
	719 mm	475 mm	1000 mm	450 kg
L4	600 mm	400 mm	75 mm	45 kg
L5	600 mm	400 mm	150 mm	45 kg

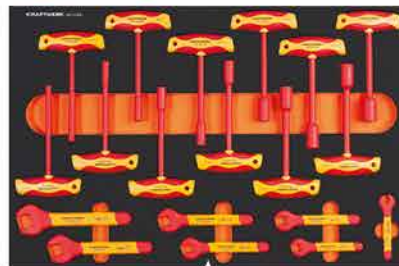
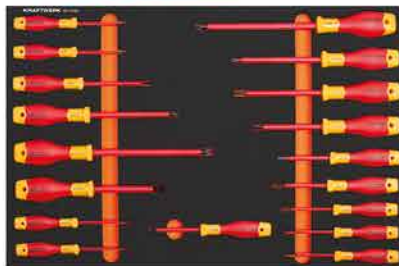


Also available with gray Tool Cabinet
Order no.
[Art. 102.117.420](#)

Art. 102.117.431

BASIC LINE VDE Mobile Tool Cabinet BT700, 7 drawers, 111 pcs.

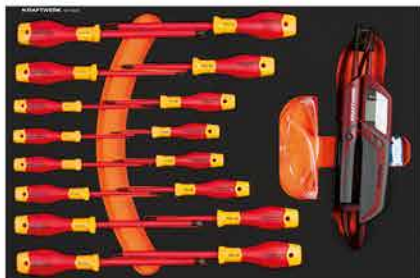
- MADE IN GERMANY
- Set of warn and safety High Voltage Signs
- VDE Slotted Screwdriver: 2.5 - 8mm
- VDE PH Screwdriver: PH0 - PH3
- VDE PZ Screwdriver: PZ0 - PZ3
- VDE TX Screwdriver: T6 - T45
- VDE Hexagon Screwdriver: 2.5 - 8mm
- Voltage Tester
- VDE Pliers
- 3/8" VDE Ratchet
- 3/8" VDE Sockets: 8 - 22 mm
- VDE Hexagon Nut Driver with T-Handle: 4 - 14mm
- VDE Ended Spanners: 8 - 19mm
- Safety Belt
- Barrier



Also available with gray Tool Cabinet
Order no.
[Art. 102.117.421](#)

€ 2.379,-
~~€ 3.309,-~~

€ 1.849,-
~~€ 2.979,-~~

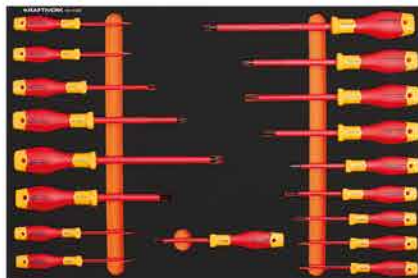


Art. 105.110.001

VDE Inlay with Slot Screwdriver/ PH/ PZ, 16 pcs.

- VDE Slotted Screwdriver: 2,5 - 8 mm
- VDE PH Screwdriver: PH0 - PH3
- VDE PZ Screwdriver: PZ0 - PZ3

€ 149,-
~~€ 211,-~~

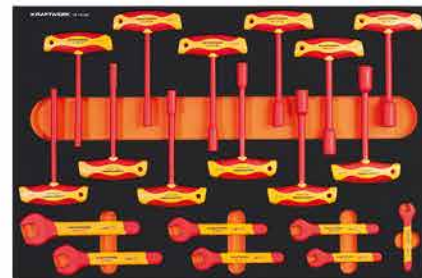


Art. 105.110.002

VDE Inlay with Screwdriver TX/ Hexagon Socket 18 pcs.

- VDE TX Screwdriver T6 - T45
- VDE Hexagon Screwdriver 2.5 - 8 mm

€ 179,-
~~€ 239,-~~



Art. 105.110.004

VDE Open End Spanner / T-Handle Nut Driver Insert, 19 pcs.

- VDE T-Handle Nut Driver: 4 - 14 mm
- VDE Open End Spanner: 8 - 19 mm

€ 409,-
~~€ 519,-~~



Art. 105.110.003

VDE Ratchet / Sockets / Pliers Insert, 18 pcs.

- 3/8" VDE Ratchet
- 3/8" VDE Sockets: 8 - 22 mm
- VDE Combination Pliers 180 mm / 7"
- VDE Diagonal Cutter: 160 mm / 6.1/2"
- VDE Flat Nose Plier: 200 mm / 8"
- VDE Wire Stripping Plier: 160 mm / 7"
- VDE Cable Knife
- VDE Scissor

€ 569,-
~~€ 659,-~~



Art. 510.100.000

Set of warn and safety signs high voltage insert, 24 pcs.

- Safety sign triangle
- 510.030.000 Safety sign round
- 510.020.000 Safety sign square suction cup
- 510.040.000 Safety sign square hooks
- 510.050.000 Safety sign pyramide
- Hook spare part
- Suction cup spare part
- Magnet spare part

€ 399,-



Art. 107.000.100

Set of Barrier Stands + Safety Belts 8 pcs.

- 6 Barrier stands with extendable safety belts 3.6 m
- 1 m height
- Yellow/ Black
- Safety belt 2 pcs.
- Extendable 4.5 m
- Incl. mounting material

€ 1.040,-



BASIC LINE Mobile Tool Cabinet BT700s 60/40, MADE IN GERMANY, empty

- Surface with rubber mat
- Sturdy double-walls structure
- Drawers with professional ball-bearing guide rails
- Central lock of all drawers at the side with a cylinder lock
- 2 swivel castors, with brakes, 2 fix

- Load capacity per drawer: 45 kg
- Total load capacity: 450 kg
- Can be equipped with several Kraftwerk inserts
- Drawer inner dimension: 400 x 600 mm
- Dimension: 719 x 474 x 1000 mm



5 Drawers **B105**

Art. 101.105.100

	H mm	W mm	D mm
2x	75	600	400
2x	150	600	400
1x	225	600	400

€ 559,-



6 Drawers **B106**

Art. 101.106.100

	H mm	W mm	D mm
3x	75	600	400
3x	150	600	400

€ 599,-



7 Drawers **B107**

Art. 101.107.100

	H mm	W mm	D mm
5x	75	600	400
2x	150	600	400

€ 569,- ~~€ 639,-~~



8 Drawers **B108**

Art. 101.108.100

	H mm	W mm	D mm
7x	75	600	400
1x	150	600	400

€ 689,-



9 Drawers **B109**

Art. 101.109.100

	H mm	W mm	D mm
9x	75	600	400

€ 729,-

BASIC LINE Mobile Tool Cabinet BT700 60/40, MADE IN GERMANY, empty

- PS working surface resistant against chemicals
- With perforated side panel
- Sturdy double-walls structure
- Drawers with professional ball-bearing guide rails
- Single drawer opening (prevents the simultaneous opening of several drawers)
- Central lock of all drawers at the side with a cylinder lock

- 2 swivel castors, with brakes, 2 fix
- Load capacity per drawer: 45 kg
- Total load capacity: 450 kg
- Can be equipped with several Kraftwerk inserts
- Drawer inner dimension: 400 x 600 mm
- Dimension: 719 x 474 x 1000 mm



5 Drawers **B115**

Art. 101.115.100

	H mm	W mm	D mm
2x	75	600	400
2x	150	600	400
1x	225	600	400

€ 649,-



6 Drawers **B116**

Art. 101.116.100

	H mm	W mm	D mm
3x	75	600	400
3x	150	600	400

€ 699,-



7 Drawers **B117**

Art. 101.117.100

	H mm	W mm	D mm
5x	75	600	400
2x	150	600	400

€ 649,- ~~€ 739,-~~



8 Drawers **B118**

Art. 101.118.100

	H mm	W mm	D mm
7x	75	600	400
1x	150	600	400

€ 779,-



9 Drawers **B119**

Art. 101.119.100

	H mm	W mm	D mm
9x	75	600	400

€ 839,-



BASIC LINE Mobile Tool Cabinet BT900 80/40, MADE IN GERMANY, empty

- PS working surface resistant against chemicals
- With perforated side panel
- Sturdy double-walls structure
- Drawers with professional ball-bearing guide rails
- Single drawer opening (prevents the simultaneous opening of several drawers)
- Central lock of all drawers at the side with a cylinder lock

- 2 swivel castors, with brakes, 2 fix
- Load capacity per drawer: 45 kg
- Total load capacity: 450 kg
- Can be equipped with several Kraftwerk inserts
- Drawer inner dimension: 400 x 800 mm
- Dimension: 919 x 474 x 1000 mm



5 Drawers **B215**

Art. 101.215.100

	H mm	W mm	D mm
2x	75	800	400
2x	150	800	400
1x	225	800	400

€ 889,-



6 Drawers **B216**

Art. 101.216.100

	H mm	W mm	D mm
3x	75	800	400
3x	150	800	400

€ 959,-



7 Drawers **B217**

Art. 101.217.100

	H mm	W mm	D mm
5x	75	800	400
2x	150	800	400

€ 1.019,-



8 Drawers **B218**

Art. 101.218.100

	H mm	W mm	D mm
7x	75	800	400
1x	150	800	400

€ 1.079,-



9 Drawers **B219**

Art. 101.219.100

	H mm	W mm	D mm
9x	75	800	400

€ 1.129,-

BASIC LINE Mobile Tool Cabinet BT1100 60/40+1, 1 Cabinet, MADE IN GERMANY, empty

- PS working surface resistant against chemicals
- With perforated side panel
- Sturdy double-walls structure
- Drawers with professional ball-bearing guide rails
- Single drawer opening (prevents the simultaneous opening of several drawers)
- Central lock of all drawers at the side with a cylinder lock

- 2 swivel castors, with brakes, 2 fix
- Load capacity per drawer: 45 kg
- Total load capacity: 450 kg
- Can be equipped with several Kraftwerk inserts
- Drawer inner dimension: 400 x 600 mm
- Dimension: 1119 x 474 x 1000 mm



5 Drawers **B315**

Art. 101.315.100

	H mm	W mm	D mm
2x	75	600	400
2x	150	600	400
1x	225	600	400

€ 1.149,-



6 Drawers **B316**

Art. 101.316.100

	H mm	W mm	D mm
3x	75	600	400
3x	150	600	400

€ 1.209,-



7 Drawers **B317**

Art. 101.317.100

	H mm	W mm	D mm
5x	75	600	400
2x	150	600	400

€ 1.299,-



8 Drawers **B318**

Art. 101.318.100

	H mm	W mm	D mm
7x	75	600	400
1x	150	600	400

€ 1.349,-



9 Drawers **B319**

Art. 101.319.100

	H mm	W mm	D mm
9x	75	600	400

€ 1.409,-



EMPTY



Art. 143.407.001	L1	L2	L3	⊘
Art. 143.407.002				
	780 mm	477 mm	952 mm	300 kg
L4	569 mm	410 mm	69 mm	40 kg
L5	569 mm	410 mm	144 mm	40 kg

Art. 143.407.001

PRO LINE Mobile Tool Cabinet „FIRST EDITION“, 7 drawers, empty

- MADE IN GERMANY

NOT AVAILABLE

Art. 143.407.002

PRO LINE Mobile Tool Cabinet „FIRST EDITION PRO“, 7 drawers, empty

- MADE IN GERMANY
- 7 ball bearing drawers with full-extension
- 2 swivel castors with breaks, 2 fixed castors
- Central key solution
- **With anti - tilt function**
- Rubber mat on top

€ 609,-
~~€ 690,-~~



EMPTY



Art. 3934NG	L1	L2	L3	⊘
	690 mm	485 mm	1015 mm	235 kg
L4	531 mm	407 mm	65 mm	25 kg
L5	531 mm	407 mm	145 mm	30 kg

Art. 3934NG

PRO LINE Mobile Tool Cabinet P407, 7 drawers, empty

- Stainless steel cover
- Hard plastic edge protection
- 7 drawers with professional ball-bearing guide rails and full-extensions
- Central locking system of all drawers with a cylinder lock
- Single drawer opening (prevents the simultaneous opening of several drawers)
- Incl. tool hook for lateral perforated wall



€ 779,-
~~€ 969,-~~

Central locking
of all drawers by cylinder lock.



Stainless steel cover



Ball bearing mounted drawers
with full extension and individual locking (anti-tilt protection).



All-round hard plastic impact edge protection



Perforated panels on both side walls
for optional accessories and tool hooks.



Storage options
on the side wall as well as on the work surface.



7 Drawers	P407		ANTI-TILT	
---------------------	-------------	--	------------------	--



Art. 3934NG	L1	L2	L3	ØD
	690 mm	485 mm	1015 mm	235 kg
L4	531 mm	407 mm	65 mm	25 kg
L5	531 mm	407 mm	145 mm	30 kg



Art. 102.400.502

PRO LINE Mobile Tool Cabinet P407, 7 drawers, 191 pcs.

- Specialised workshop equipment with 191 professional tools
- Embedded in 9 COMPLETEO tool inserts
- Combination Spanners: 5.5 - 24 mm
- 1/4"+1/2" Ratchets
- 1/4" Sockets: 3.5 - 13 mm
- 1/2" Sockets: 10 - 34 mm
- Incl. tool hook for side hole wall



€ **1.459,-**
~~€ 1.860,-~~



Art. 3934NG	L1	L2	L3	ΔT	
	L1	690 mm	485 mm	1015 mm	235 kg
	L4	531 mm	407 mm	65 mm	25 kg
	L5	531 mm	407 mm	145 mm	30 kg

Art. 102.400.505

PRO LINE Mobile Tool Cabinet P407, 7 drawers, 150 pcs.

- Specialised workshop equipment with 150 professional tools
- Embedded in 6 COMPLETEO tool inserts
- Combination Spanners: 8 - 19 mm
- 1/4"+1/2" reversible ratchets and extensions
- 1/4" Sockets: 3.5 - 14 mm
- 1/2" Sockets: 10 - 34 mm
- Incl. tool hook for lateral perforated wall



Art. 102.400.507

PRO LINE Mobile Tool Cabinet P407, 7 drawers, 104 pcs.

- 104 high-grade quality tools for various fields of application
- Embedded in 6 special high density soft foam inserts (EVA) with carbon look
- Combination Spanners: 8 - 19 mm
- 1/4"+1/2" reversible ratchets and extensions
- 1/4" Sockets: 3.5 - 14 mm
- 1/2" Sockets: 10 - 34 mm
- Incl. tool hook for lateral perforated wall



€ 1.349,-

~~€ 1.610,-~~

€ 1.250,-

~~€ 1.560,-~~



Art. 102.400.515

PRO LINE Mobile Tool Cabinet P407, 7 drawers, 280 pcs.

- Specialised workshop equipment with 280 professional tools
- Embedded in 6 special high density soft foam inserts (EVA) with carbon look
- Combination Spanners: 5.5 - 32 mm
- 1/4"+3/8"+1/2" Ratchets
- 1/4" Sockets: 3.5 - 14 mm
- 3/8" Sockets: 8 - 24 mm
- 1/2" Sockets: 10 - 32 mm
- With Art. 3235 torque wrench, 1/2", 40-200 Nm
- Incl. tool hook for lateral perforated wall

Art. 102.400.516

PRO LINE Mobile Tool Cabinet P407, 7 drawers, 187 pcs.

- Specialised workshop equipment with 187 professional tools
- Embedded in 7 special high density soft foam inserts (EVA) with carbon look
- Combination Spanners: 5.5 - 22 mm
- 1/4"+3/8"+1/2" Ratchets
- 1/4" Sockets: 3.5 - 14 mm
- 3/8" Sockets: 8 - 24 mm
- 1/2" Sockets: 10 - 32 mm
- Incl. tool hook for lateral perforated wall



€ 2.150,-
~~€ 2.920,-~~

€ 1.459,-
~~€ 2.090,-~~

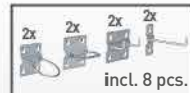


7
Drawers

P407



ANTI-TILT



Art. 3934NG	L1	L2	L3	⚖️	
	690 mm	485 mm	1015 mm	235 kg	
	L4	531 mm	407 mm	65 mm	25 kg
	L5	531 mm	407 mm	145 mm	30 kg

Art. 102.400.520

PRO LINE Mobile Tool Cabinet P407, 7 drawers, 236 pcs.

- Generous workshop equipment with 236 professional tools
- Embedded in 10 special high density soft foam trays (EVA) with carbon look
- Combination Spanners: 5.5 - 24 mm
- 1/4"+3/8"+1/2" Ratchets
- 1/4" Sockets: 3.5 - 14 mm
- 3/8" Sockets: 8 - 24 mm
- 1/2" Sockets: 10 - 32 mm
- Incl. tool hook for lateral perforated wall



€ 1.780,-
~~€ 2.430,-~~

Art. 102.400.522

PRO LINE Mobile Tool Cabinet P407, 7 drawers, 273 pcs.

- Generous workshop equipment with 273 professional tools
- Embedded in 13 special high density soft foam trays (EVA) with carbon look
- Combination Spanners: from 5.5 - 24 mm
- 1/4"+3/8"+1/2" Ratchets
- 1/4" Sockets: 3.5 - 14 mm
- 3/8" Sockets: 8 - 24 mm
- 1/2" Sockets: 10 - 32 mm
- Incl. tool hook for lateral perforated wall



€ 2.290,-
~~€ 2.770,-~~



Art. 102.400.526

PRO LINE Mobile Tool Cabinet P407L, 7 drawers, 276 pcs.

- Specialised workshop equipment with 276 professional tools
- Embedded in 14 special high density soft foam inserts (EVA) with carbon look
- Combination Spanners: 5.5 - 32 mm
- 1/4"+3/8"+1/2" Ratchets
- 1/4" Sockets: 3.5 - 14 mm
- 3/8" Sockets: 8 - 24 mm
- 1/2" Sockets: 10 - 32 mm
- Art.-No. 3235 Torque Wrench, 1/2", 40-200 Nm
- Incl. tool hook for lateral perforated wall



€ 2.570,-
~~€ 3.350,-~~

Art. 102.400.528

PRO LINE Mobile Tool Cabinet P407, 7 drawers, 219 pcs.

- Generous workshop equipment with 219 professional tools
- Embedded in 10 special high density soft foam trays (EVA) with carbon look
- Combination Spanners: 5.5 - 24 mm
- 1/4"+3/8"+1/2" Ratchets
- 1/4" Sockets 3.5 - 14 mm
- 3/8" Sockets 8 - 24 mm
- 1/2" Sockets 10 - 32 mm
- Incl. tool hook for lateral perforated wall



€ 1.980,-
~~€ 2.390,-~~



7 Drawers **P407** **ANTI-TILT** **incl. 8 pcs.**

Art. 3934NG	L1	L2	L3	Σ
	690 mm	485 mm	1015 mm	235 kg
	L4 531 mm	407 mm	65 mm	25 kg
	L5 531 mm	407 mm	145 mm	30 kg

Art. 102.400.530

PRO LINE Mobile Tool Cabinet P407, 7 drawers, 280 pcs.

- Generous workshop equipment with 280 professional tools
- Embedded in 13 special high density soft foam trays (EVA) with carbon look
- Combination Spanners: 5.5 - 24 mm
- 1/4"+3/8"+1/2" Ratchets
- 1/4" Sockets 3.5 - 14 mm
- 3/8" Sockets 8 - 24 mm
- 1/2" Sockets 10 - 32 mm
- Incl. tool hook for lateral perforated wall



€ 2.080,-
~~€ 2.880,-~~



EMPTY

7 Drawers **P407L** **ANTI-TILT** **incl. 8 pcs.**

Art. 3935NG	L1	L2	L3	Σ
	1045 mm	485 mm	1015 mm	235 kg
	L4 886 mm	407 mm	65 mm	25 kg
	L5 886 mm	407 mm	145 mm	30 kg

Art. 3935NG

PRO LINE Mobile Tool Cabinet P407L, 7 drawers, empty

- Stainless steel cover
- Hard plastic edge protection
- 7 Drawers with professional ball-bearing guide rails and full-extensions
- Central locking system of all drawers with a cylinder lock
- Single drawer opening (prevents the simultaneous opening of several drawers)
- Hanging possibilities on side panels and shelf space on work surface
- Incl. tool hook for lateral perforated wall

€ 1.089,-
~~€ 1.390,-~~





Art. 3935NG	L1	L2	L3	GP
	1045 mm	485 mm	1015 mm	235 kg
L4	886 mm	407 mm	65 mm	25 kg
L5	886 mm	407 mm	145 mm	30 kg

Art. 3935NG-4934

PRO LINE Mobile Tool Cabinet P407L, 7 drawers, 226 pcs.

- Specialised workshop equipment with 226 professional tools
- Embedded in 15 special high density soft foam inserts (EVA) with carbon look
- Combination Spanners: 5.5 - 22 mm
- 1/4" + 1/2" Ratchets
- 1/4" Sockets: 3.5 - 14 mm
- 1/2" Sockets: 10 - 32 mm
- Incl. tool hook for lateral perforated wall



€ 2.390,-
~~€ 2.740,-~~

Art. 3935NG-4940

PRO LINE Mobile Tool Cabinet P407L, 7 drawers, 308 pcs.

- Specialised workshop equipment with 308 professional tools
- Embedded in 18 special high density soft foam inserts (EVA) with carbon look
- Combination Spanners: 5.5 - 22 mm
- 1/4"+3/8"+1/2" Ratchets
- 1/4" Sockets: 3.5 - 14 mm
- 3/8" Sockets: 8 - 24 mm
- 1/2" Sockets: 10 - 32 mm
- Incl. tool hook for lateral perforated wall



€ 2.550,-
~~€ 3.710,-~~



7
Drawers

P407L



ANTI-TILT



Art. 3935NG	L1	L2	L3	Σ
	1045 mm	485 mm	1015 mm	235 kg
L4	886 mm	407 mm	65 mm	25 kg
L5	886 mm	407 mm	145 mm	30 kg

Art. 102.410.524

PRO LINE Mobile Tool Cabinet P407L, 7 drawers, 273 pcs.

- Specialised workshop equipment with 273 professional tools
- Embedded in 13 special high density soft foam inserts (EVA) with carbon look
- Combination Spanners: 5.5 - 24 mm
- 1/4"+3/8"+1/2" Ratchets
- 1/4" Sockets: 3.5 - 14 mm
- 3/8" Sockets: 8 - 24 mm
- 1/2" Sockets: 10 - 32 mm
- Incl. tool hook for lateral perforated wall



€ 2.160,-

~~€ 3.260,-~~

Art. 102.410.532

PRO LINE Mobile Tool Cabinet P407L, 7 drawers, 264 pcs.

- Specialised workshop equipment with 264 professional tools
- Embedded in 13 special high density soft foam inserts (EVA) with carbon look
- Combination Spanners: 5.5 - 24 mm
- 1/4"+3/8"+1/2" Ratchets
- 1/4" Sockets: 3.5 - 14 mm
- 3/8" Sockets: 8 - 24 mm
- 1/2" Sockets: 10 - 32 mm
- Pliers and angle pin wrench assortment
- Screwdriver assortment
- Percussion and cutting tools
- Incl. tool hook for lateral perforated wall



€ 2.700,-

~~€ 3.370,-~~



Art. 2905NG

PRO LINE Mobile Tool Cabinet P205, 5 drawers, empty

- Robust plastic storage surface and hard plastic edge protection
- 5 drawers with professional ball-bearing guide rails and full-extensions
- Central locking system of all drawers with a cylinder lock
- Single drawer opening (prevents the simultaneous opening of several drawers)
- Equipped with Screwdriver holder, side table and spray can holder



€ 579,-
~~€ 689,-~~

Art. 2905NG	L1	L2	L3	ΔT	
	690 mm	470 mm	900 mm	240 kg	
	L4	536 mm	410 mm	60 mm	26 kg
	L5	536 mm	410 mm	124 mm	30 kg
	L6	536 mm	410 mm	172 mm	50 kg

Art. 102.210.502

PRO LINE Mobile Tool Cabinet P205, 5 drawers, 191 pcs.

- Specialised workshop equipment with 191 professional tools
- Embedded in 9 COMPLETEO tool inserts
- Combination Spanners: 8 - 19 mm
- 1/4" + 1/2" Ratchets
- 1/4" Sockets: 3.5 - 14 mm
- 1/2" Sockets: 10 - 34 mm



€ 1.249,-
~~€ 1.550,-~~

Art. 102.210.505

PRO LINE Mobile Tool Cabinet P205, 5 drawers, 150 pcs.

- Specialised workshop equipment with 150 professional tools
- Embedded in 6 COMPLETEO tool inserts
- Combination Spanners: 8 - 19 mm
- 1/4" + 1/2" Ratchets
- 1/4" Sockets: 3.5 - 14 mm
- 1/2" Sockets: 10 - 34 mm



€ 1.049,-
~~€ 1.360,-~~



5
Drawers

P205



ANTI-TILT

Art. 2905NG	L1	L2	L3	Σ
	690 mm	470 mm	900 mm	240 kg
L4	536 mm	410 mm	60 mm	26 kg
L5	536 mm	410 mm	124 mm	30 kg
L6	536 mm	410 mm	172 mm	50 kg

Art. 102.210.507

PRO LINE Mobile Tool Cabinet P205, 5 drawers, 104 pcs.

- 104 high-grade quality tools for various fields of application
- Embedded in 6 special high density soft foam inserts (EVA) with carbon look
- Combination Spanners: 8 - 19 mm
- 1/4"+1/2" reversible ratchets and extensions
- 1/4" Sockets: 3.5 - 14 mm
- 1/2" Sockets: 10 - 34 mm



€ 1.049,-
~~€ 1.270,-~~

Art. 102.210.516

PRO LINE Mobile Tool Cabinet P205, 5 drawers, 187 pcs.

- Specialised workshop equipment with 187 professional tools
- Embedded in 7 special high density soft foam inserts (EVA) with carbon look
- Combination Spanners: 5.5 - 22 mm
- 1/4"+3/8"+1/2" Ratchets
- 1/4" Sockets: 3.5 - 14 mm
- 3/8" Sockets: 8 - 24 mm
- 1/2" Sockets: 10 - 32 mm



€ 1.359,-
~~€ 1.750,-~~



Art. 2907NG

PRO LINE Mobile Tool Cabinet P207, 7 drawers, empty

- Robust plastic storage surface and hard plastic edge protection
- 7 drawers with professional ball-bearing guide rails and full-extensions
- Central locking system of all drawers with a cylinder lock
- Single drawer opening (prevents the simultaneous opening of several drawers)
- Equipped with Screwdriver holder, side table and spray can holder



€ 649,-
~~€ 798,-~~

Art. 2907NG	L1	L2	L3	ΔT	
	690 mm	470 mm	900 mm	240 kg	
	L4	536 mm	410 mm	45 mm	26 kg
	L5	536 mm	410 mm	60 mm	30 kg
	L6	536 mm	410 mm	172 mm	30 kg

Art. 102.230.502

PRO LINE Mobile Tool Cabinet P207, 7 drawers, 191 pcs.

- Specialised workshop equipment with 191 professional tools
- Embedded in 9 COMPLETEO tool inserts
- Combination Spanners: 8 - 19 mm
- 1/4" + 1/2" Ratchets
- 1/4" Sockets: 3.5 - 14 mm
- 1/2" Sockets: 10 - 34 mm



€ 1.359,-
~~€ 1.630,-~~

Art. 102.230.505

PRO LINE Mobile Tool Cabinet P207, 7 drawers, 150 pcs.

- Specialised workshop equipment with 150 professional tools
- Embedded in 6 COMPLETEO tool inserts
- Combination Spanners: 8 - 19 mm
- 1/4" + 1/2" Ratchets
- 1/4" Sockets: 3.5 - 14 mm
- 1/2" Sockets: 10 - 34 mm



€ 1.049,-
~~€ 1.460,-~~



7
Drawers

P207



ANTI-TILT

Art. 2907NG	L1	L2	L3	Σ
	690 mm	470 mm	900 mm	240 kg
L4	536 mm	410 mm	45 mm	26 kg
L5	536 mm	410 mm	60 mm	30 kg
L6	536 mm	410 mm	172 mm	30 kg

Art. 1097NG

PRO LINE Mobile Tool Cabinet P207, 7 drawers, 286 pcs.

- Specialised workshop equipment with 286 tools
- Embedded in 9 COMPLETEO tool insert
- Combination Spanners: 5.5- 24 mm
- 1/4" + 1/2" Ratchets
- 1/4" Sockets: 4 - 14 mm
- 1/2" Sockets: 10 - 32 mm

Art. 102.230.507

PRO LINE Mobile Tool Cabinet P207, 7 drawers, 104 pcs.

- Specialised workshop equipment with 104 professional tools
- Embedded in 6 special high density soft foam trays (EVA) with carbon look
- Combination Spanners: 8 - 19 mm
- 1/4" + 1/2" Ratchets
- 1/4" Sockets: 3.5 - 14 mm
- 1/2" Sockets: 10 - 34 mm

BASIC LINE



€ 889,-
~~€ 1.370,-~~



€ 1.049,-
~~€ 1.360,-~~



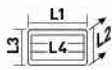
P207



3
Drawers

P203



Art. 2904NG	L1	L2	L3	ΔD	
	690 mm	470 mm	345 mm	115 kg	
	L4	536 mm	410 mm	60 mm	25 kg

Art. 102.230.516

PRO LINE Tool cabinet P207, 7 drawers, 187 pcs.

- Generous workshop equipment with 187 professional tools
- Embedded in 7 special high density soft foam trays (EVA) with carbon look
- Combination Spanners: 5.5 - 24 mm
- 1/4" + 3/8" + 1/2" Ratchets
- 1/4" Sockets: 3.5 - 14 mm
- 3/8" Sockets: 8 - 24 mm
- 1/2" Sockets: 10 - 32 mm

Art. 102.200.516

PRO LINE Tool chest P203, 3 drawers, 187 pcs.

- Generous workshop equipment with 187 professional tools
- Embedded in 7 special high density soft foam trays (EVA) with carbon look
- Combination Spanners: 5.5 - 24 mm
- 1/4" + 3/8" + 1/2" Ratchets
- 1/4" Sockets: 3.5 - 14 mm
- 3/8" Sockets: 8 - 24 mm
- 1/2" Sockets: 10 - 32 mm



€ 1.569,-
~~€ 1.740,-~~

€ 1.259,-
~~€ 1.570,-~~



Art. 2904NG

PRO LINE Tool chest P203, 3 drawers, empty

- 3 drawers with ball bearings and full-extension runners
- Central locking of all drawers
- Very robust, double-skinned sheet steel construction
- Outer dimensions 690 x 470 x 345 mm
- Drawer width/drawer depth 536 x 410 mm
- 3 x height 60 mm/25 kg
- Max. standing surface capacity 30 kg
- Max. capacity 115 kg
- For P205, P206 and P207

€ 399,-
~~€ 449,-~~



3
Drawers

P203





7
Drawers

P207



ANTI-TILT

Art. 2907NG	L1	L2	L3	⊕
	690 mm	470 mm	900 mm	240 kg
L4	536 mm	410 mm	45 mm	26 kg
L5	536 mm	410 mm	60 mm	30 kg
L6	536 mm	410 mm	172 mm	30 kg

Art. 102.230.520

PRO LINE Mobile Tool Cabinet P207, 7 drawers, 236 pcs.

- Generous workshop equipment with 236 professional tools
- Embedded in 10 special high density soft foam trays (EVA) with carbon look
- Combination Spanners: 5.5 - 24 mm
- 1/4"+3/8"+1/2" Ratchets
- 1/4" Sockets: 3.5 - 14 mm
- 3/8" Sockets: 8 - 24 mm
- 1/2" Sockets: 10 - 32 mm



Art. 102.230.515

PRO LINE Mobile Tool Cabinet P207, 7 drawers, 280 pcs.

- Specialised workshop equipment with 280 professional tools
- Embedded in 6 special high density soft foam inserts (EVA) with carbon look
- Combination Spanners: 5.5 - 32 mm
- 1/4"+3/8"+1/2" Ratchets
- 1/4" Sockets: 3.5 - 14 mm
- 3/8" Sockets: 8 - 24 mm
- 1/2" Sockets: 10 - 32 mm
- With Art. 3235 torque wrench, 1/2", 40-200 Nm



€ **1.830,-**
~~€ 2.180,-~~

€ **1.960,-**
~~€ 2.620,-~~



Art. 3907-1

PRO LINE Mobile Tool Cabinet P306, 6 drawers, empty

- ABS working surface resistant against chemicals
- Sturdy double-walls structure
- 6 drawers with professional ball-bearing guide rails and full-extensions
- Central locking system of all drawers with a cylinder lock
- Ball bearing mounted, high-performance wheels for maximum manoeuvring capability



€ 689,-
~~€ 769,-~~

Art. 3907-1	L1	L2	L3	ΔT	
	650 mm	485 mm	945 mm	265 kg	
	L4	533 mm	414 mm	70 mm	25 kg
	L5	533 mm	414 mm	110 mm	30 kg
	L6	533 mm	414 mm	230 mm	30 kg

Art. 102.310.509

PRO LINE Tool cabinet P306, 6 drawers, 290 pcs.

- Generous workshop equipment with 290 professional tools
- Embedded in 15 COMPLETEO tool inserts
- Combination Spanners: 5.5 - 24 mm
- 1/4"+3/8"+1/2" Ratchets
- 1/4" Sockets: 3.5 - 14 mm
- 3/8" Sockets: 8 - 24 mm
- 1/2" Sockets: 10 - 32 mm



€ 2.090,-
~~€ 2.420,-~~

Art. 102.310.515

PRO LINE Mobile Tool Cabinet P306, 6 drawers, 280 pcs.

- Specialised workshop equipment with 280 professional tools
- Embedded in 6 special high density soft foam inserts (EVA) with carbon look
- Combination Spanners: 5.5 - 32 mm
- 1/4"+3/8"+1/2" Ratchets
- 1/4" Sockets: 3.5 - 14 mm
- 3/8" Sockets: 8 - 24 mm
- 1/2" Sockets: 10 - 32 mm
- With Art. 3235 torque wrench, 1/2", 40-200 Nm



€ 2.300,-
~~€ 2.760,-~~



6
Drawers

P306



Art. 3907-1	L1	L2	L3	∅
	650 mm	485 mm	945 mm	265 kg
L4	533 mm	414 mm	70 mm	25 kg
L5	533 mm	414 mm	110 mm	30 kg
L6	533 mm	414 mm	230 mm	30 kg



4
Drawers

P304



Art. 3905	L1	L2	L3	∅
	650 mm	485 mm	440 mm	265 kg
L4	533 mm	414 mm	70 mm	25 kg
L5	533 mm	414 mm	110 mm	30 kg
L6	533 mm	414 mm	230 mm	30 kg

Art. 102.310.516

PRO LINE Tool cabinet P306, 6 drawers, 187 pcs.

- Generous workshop equipment with 187 professional tools
- Embedded in 7 special high density soft foam trays (EVA) with carbon look
- Combination Spanners: 5.5 - 24 mm
- 1/4"+3/8"+1/2" Ratchets
- 1/4" Sockets: 3.5 - 14 mm
- 3/8" Sockets: 8 - 24 mm
- 1/2" Sockets: 10 - 32 mm

Art. 102.300.516

PRO LINE Tool chest P304, 4 drawers, 187 pcs.

- Generous workshop equipment with 187 professional tools
- Embedded in 7 special high density soft foam trays (EVA) with carbon look
- Combination Spanners: 5.5 - 24 mm
- 1/4"+3/8"+1/2" Ratchets
- 1/4" Sockets: 3.5 - 14 mm
- 3/8" Sockets: 8 - 24 mm
- 1/2" Sockets: 10 - 32 mm



€ 1.569,-
~~€ 1.870,-~~

€ 1.359,-
~~€ 1.640,-~~

Art. 3905

PRO LINE Tool chest P304, 4 drawers, empty

- 4 full extension drawers with ball bearings
- Central locking of all drawers
- Very stable and double-walled sheet steel construction
- Rubberized edge protection
- Outer dimensions WxDxH: 650 x 485 x 440 mm



4
Drawers

P304



€ 491,-



P306

Art. 3907-4909

PRO LINE Tool cabinet P306, 6 drawers, 150 pcs.

- Specialised workshop equipment with 150 professional tools
- Embedded in 6 COMPLETEO tool inserts
- Combination Spanners: 5.5 - 32 mm
- 1/4"+1/2" Ratchets
- 1/4" Sockets: 3.5 - 14 mm
- 1/2" Sockets: 10 - 32 mm
- Pliers assortment
- Screwdriver assortment
- Percussion tools

Art. 3907-4911

PRO LINE Mobile Tool Cabinet P306, 6 drawers, 191 pcs.

- Specialised workshop equipment with 191 professional tools
- Embedded in 9 COMPLETEO tool inserts
- Combination Spanners: 5.5 - 24 mm
- 1/4" + 1/2" Ratchets
- 1/4" Sockets: 3.5 - 13 mm
- 1/2" Sockets: 10 - 34 mm



€ 1.238,-
~~€ 1.470,-~~

€ 1.351,-
~~€ 1.690,-~~



6
Drawers

P306



Art. 3907-1	L1	L2	L3	Σ	
	650 mm	485 mm	945 mm	265 kg	
	L4	533 mm	414 mm	70 mm	25 kg
	L5	533 mm	414 mm	110 mm	30 kg
	L6	533 mm	414 mm	230 mm	30 kg

Art. 3907-4931

PRO LINE Mobile Tool Cabinet P306, 6 drawers, 104 pcs.

- Specialised workshop equipment with 104 professional tools
- Embedded in 6 special high density soft foam trays (EVA) with carbon look
- Combination Spanners: 5.5 - 24 mm
- 1/4" + 1/2" Ratchets
- 1/4" Sockets: 3.5 - 13 mm
- 1/2" Sockets: 10 - 34 mm



€ 1.238,-

~~€ 1.400,-~~

Art. 3907-4932

PRO LINE Tool cabinet P306, 6 drawers, 166 pcs.

- Specialised workshop equipment with 166 professional tools
- Embedded in 9 special high density soft foam trays (EVA) with carbon look
- Combination Spanners: 5.5 - 24 mm
- 1/4"+3/8"+1/2" Ratchets
- 1/4" Sockets: 3.5 - 14 mm
- 3/8" Sockets: 8 - 24 mm
- 1/2" Sockets: 10 - 34 mm
- Pliers and angle spanner assortment
- Screwdriver assortment



€ 1.446,-

~~€ 1.790,-~~



Art. 3908

PRO LINE Mobile Tool Cabinet P308, 8 drawers, empty

- ABS working surface resistant against chemicals
- Sturdy double-walls structure
- 8 Drawers with professional ball-bearing guide rails and full-extensions
- Central locking system of all drawers with a cylinder lock
- Ball bearing mounted, high-performance wheels for maximum manoeuvring capability



€ 819,-
~~€ 890,-~~

Art. 3908	L1	L2	L3	Δ
	650 mm	485 mm	945 mm	265 kg
L4	533 mm	414 mm	60 mm	25 kg
L5	533 mm	414 mm	110 mm	30 kg

Art. 102.320.509

PRO LINE Mobile Tool Cabinet P308, 8 drawers, 290 pcs.

- Specialised workshop equipment with 290 professional tools
- Embedded in 15 COMPLETEO tool inserts
- Combination Spanners: from 5.5 - 24 mm
- 1/4"+3/8"+1/2" Ratchets
- 1/4" Sockets: 3.5 - 14 mm
- 3/8" Sockets: 8 - 24 mm
- 1/2" Sockets: 10 - 32 mm



€ 1.900,-
~~€ 2.610,-~~

Art. 102.320.515

PRO LINE Mobile Tool Cabinet P308, 8 drawers, 280 pcs.

- Specialised workshop equipment with 280 professional tools
- Embedded in 6 special high density soft foam inserts (EVA) with carbon look
- Combination Spanners: 5.5 - 32 mm
- 1/4" + 3/8" + 1/2" Ratchets
- 1/4" Sockets: 3.5 - 14 mm
- 3/8" Sockets: 8 - 24 mm
- 1/2" Sockets: 10 - 32 mm
- With Art. 3235 torque wrench, 1/2", 40-200 Nm



€ 2.080,-
~~€ 2.920,-~~



8
Drawers

P308



Art. 3908	L1	L2	L3	Σ
	650 mm	485 mm	945 mm	265 kg
L4	533 mm	414 mm	60 mm	25 kg
L5	533 mm	414 mm	110 mm	30 kg

Art. 102.320.516

PRO LINE Mobile Tool Cabinet P308, 8 drawers, 187 pcs.

- Specialised workshop equipment with 187 professional tools
- Embedded in 7 special high density soft foam inserts (EVA) with carbon look
- Combination Spanners: 5.5 - 32 mm
- 1/4" + 3/8" + 1/2" Ratchets
- 1/4" Sockets: 3.5 - 14 mm
- 3/8" Sockets: 8 - 24 mm
- 1/2" Sockets: 10 - 32 mm



€ 1.670,-
~~€ 2.000,-~~

Art. 102.320.520

PRO LINE Tool cabinet P308, 8 drawers, 236 pcs.

- Generous workshop equipment with 236 professional tools
- Embedded in 10 special high density soft foam trays (EVA) with carbon look
- Combination Spanners: 5.5 - 24 mm
- 1/4"+3/8"+1/2" Ratchets
- 1/4" Sockets: 3.5 - 14 mm
- 3/8" Sockets: 8 - 24 mm
- 1/2" Sockets: 10 - 32 mm



€ 2.090,-
~~€ 2.350,-~~



Art. 102.320.526

PRO LINE Mobile Tool Cabinet P308, 8 drawers, 276 pcs.

- Specialised workshop equipment with 276 professional tools
- Embedded in 14 special high density soft foam inserts (EVA) with carbon look
- Combination Spanners: 5.5 - 32 mm
- 1/4"+3/8"+1/2" Ratchets
- 1/4" Sockets: 3.5 - 14 mm
- 3/8" Sockets: 8 - 24 mm
- 1/2" Sockets: 10 - 32 mm
- With Art. 3235 Torque Wrench, 1/2", 40-200 Nm

Art. 3908-4909

PRO LINE Mobile Tool Cabinet P308, 8 drawers, 150 pcs.

- Specialised workshop equipment with 150 professional tools
- Embedded in 6 COMPLETEO tool insert
- Combination Spanners: 5.5 - 32 mm
- Ratchets 1/4"+1/2"
- 1/4" Sockets: 3.5 - 14 mm
- 1/2" Sockets: 10 - 32 mm



€ 2.460,-
~~€ 3.310,-~~

€ 1.238,-
~~€ 1.570,-~~



8
Drawers

P308



Art. 3908	L1	L2	L3	Σ
	650 mm	485 mm	945 mm	265 kg
L4	533 mm	414 mm	60 mm	25 kg
L5	533 mm	414 mm	110 mm	30 kg

Art. 3908-4911

PRO LINE Mobile Tool Cabinet P308, 8 drawers, 191 pcs.

- Specialised workshop equipment with 191 professional tools
- Embedded in 9 COMPLETEO tool insert
- Combination Spanners: 5.5 - 24 mm
- 1/4" + 1/2" Ratchets
- 1/4" Sockets: 3.5 - 13 mm
- 1/2" Sockets: 10 - 34 mm



€ 1.342,-
~~€ 1.830,-~~

Art. 3908-4932

PRO LINE Tool cabinet P308, 8 drawers, 166 pcs.

- Specialised workshop equipment with 166 professional tools
- Embedded in 9 special high density soft foam trays (EVA) with carbon look
- Combination Spanners: 5.5 - 24 mm
- 1/4" + 3/8" + 1/2" Ratchets
- 1/4" Sockets (hex): 3.5 - 14 mm
- 3/8" Sockets (6ct.): 8 - 24 mm
- 1/2" Sockets (6ct.): 10 - 34 mm
- Pliers and angle spanner assortment
- Screwdriver assortment



€ 1.446,-
~~€ 1.790,-~~



8
Drawers

P308



Art. 3908-4931

PRO LINE Mobile Tool Cabinet P308, 8 drawers, 104 pcs.

- Specialised workshop equipment with 104 professional tools
- Embedded in 6 special high density soft foam trays (EVA) with carbon look
- Combination Spanners: 5.5 - 24 mm
- 1/4" + 1/2" Ratchets
- 1/4" Sockets: 3.5 - 13 mm
- 1/2" Sockets: 10 - 34 mm



€ **1.342,-**
~~€ 1.550,-~~

P306



Table Trolley

- With loading platforms made of sheet steel
- Edge 35 mm
- Oil-tight welded
- Edges with edge protection profile
- Tub measure:
outside 1200 x 600 mm
inside 1021 x 596 mm



Art. No.	143.810.001
Description	Table Trolley
Platforms made of sheet steel	2
Shelf load per tray evenly distributed	70 kg
Dimensions / Weight	H 810 x W 1240 x D 600 mm (handle included) / 45 kg
	€ 379,-

Art. No.	143.810.002
Description	Table Trolley
Platforms made of sheet steel	3
Shelf load per tray evenly distributed	70 kg
Dimensions / Weight	H 810 x W 1240 x D 600 mm (handle included) / 51 kg
	€ 399,-

Rolling Workbench

- Oil-tight welded
- Edges with edge protection profile
- Tub measure:
outside 1200 x 600 mm
inside 1021 x 596 mm



Art. No.	143.835.001
Description	Rolling Workbench
Cabinet element or Drawer box	1 Cabinet element
Drawer property	-
Worktop	Beech Multiplex / 1200 x 600 x 25 mm
Shelves	2 x Beech plywood Multiplex
Central lockable drawer box	✓ / H 470 x W 511 x D 600 mm
Load capacity evenly distributed	500 kg
Dimensions / Weight	H 835 x W 1300 x D 605 mm (handle included) / 75 kg
	€ 639,-

Art. No.	143.835.002
Description	Rolling Workbench
Cabinet element or Drawer box	1 Drawer box with 3 drawers
Drawer property	On roller bearings, load capacity 30 kg, individual lockable
Worktop	Beech Multiplex / 1200 x 600 x 25 mm
Shelves	2 x Beech plywood Multiplex
Central lockable drawer box	✓ / H 470 x W 511 x D 600 mm
Load capacity evenly distributed	500 kg
Dimensions / Weight	H 835 x W 1300 x D 605 mm (handle included) / 85 kg
	€ 799,-



Art. No.	143.835.003
Description	Rolling Workbench
Drawer	1 Drawer
Drawer property	On roller bearings, load capacity 30 kg, individual lockable
Internal drawer dimensions	H 435 x D 539 mm
Worktop	Beech Multiplex / 1200 x 600 x 25 mm
Shelves	1 x Beech plywood Multiplex
Load capacity evenly distributed	500 kg
Dimensions / Weight	H 835 x W 1300 x D 605 mm (handle included) / 65 kg
	€ 528,-

Art. No.	143.835.004
Description	Rolling Workbench
Drawer	2 Drawers
Drawer property	On roller bearings, load capacity 30 kg, individual lockable
Internal drawer dimensions	H 435 x D 539 mm
Worktop	Beech Multiplex / 1200 x 600 x 25 mm
Shelves	1 x Beech plywood Multiplex
Load capacity evenly distributed	500 kg
Dimensions / Weight	H 835 x W 1300 x D 605 mm (handle included) / 75 kg
	€ 681,-



Art. No.	143.835.005
Description	Rolling Workbench
Cabinet element or Drawer box	1 Cabinet element + 1 drawer
Drawer property	On roller bearings, load capacity 30 kg, individual lockable
Internal drawer dimensions	H 459 x D 539 mm
Central lockable drawer box	√ / H 470 x W 511 x D 600 mm
Worktop	Beech Multiplex /1200 x 600 x 25 mm
Shelves	1 x Beech plywood Multiplex
Load capacity evenly distributed	500 kg
Dimensions / Weight	H 835 x W 1300 x D 605 mm (handle included) / 83 kg
	€ 699,- € 799,-

Art. No.	143.835.006
Description	Rolling Workbench
Cabinet element or Drawer box	2 Cabinet elements
Drawer property	-
Internal drawer dimensions	-
Central lockable drawer box	√ / H 470 x W 511 x D 600 mm
Worktop	Beech Multiplex /1200 x 600 x 25 mm
Shelves	-
Load capacity evenly distributed	500 kg
Dimensions / Weight	H 835 x W 1300 x D 605 mm (handle included) / 83 kg
	€ 893,-



Art. No.	143.835.007
Description	Rolling Workbench
Cabinet element or Drawer box	1 Cabinet element with 4 Drawers
Drawer property	On roller bearings, load capacity 30 kg, individual lockable
Internal drawer dimensions	H 459 x D 539 mm
Central lockable drawer box	√ / H 470 x W 511 x D 600 mm
Worktop	Beech Multiplex /1200 x 600 x 25 mm
Shelves	2 x Beech plywood Multiplex
Load capacity evenly distributed	500 kg
Dimensions / Weight	H 835 x W 1300 x D 605 mm (handle included) / 85 kg
	€ 889,- € 963,-

Art. No.	143.835.008
Description	Rolling Workbench
Cabinet element or Drawer box	1 Cabinet element with 4 Drawers + 1 Drawer box
Drawer property	On roller bearings, load capacity 30 kg, individual lockable
Internal drawer dimensions	-
Central lockable drawer box	√ / H 470 x W 511 x D 600 mm
Worktop	Beech Multiplex /1200 x 600 x 25 mm
Shelves	1 x Beech plywood Multiplex
Load capacity evenly distributed	500 kg
Dimensions / Weight	H 835 x W 1300 x D 605 mm (handle included) / 97 kg
	€ 1.057,-



Art. No.	143.835.009
Description	Rolling Workbench
Cabinet element or Drawer box	2 Drawer box with each 4 Drawers / totally 8 Drawers
Drawer property	On roller bearings, load capacity 30 kg, individual lockable
Internal drawer dimensions	H 459 x D 539 mm
Central lockable drawer box	√ / H 470 x W 511 x D 600 mm
Worktop	Beech Multiplex /1200 x 600 x 25 mm
Load capacity evenly distributed	500 kg
Dimensions / Weight	H 835 x W 1300 x D 605 mm (handle included) // 85 kg
	€ 1.399,- € 1.515,-

Art. No.	143.835.010
Description	Rolling Workbench
Cabinet element or Drawer box	1 Drawer box with 4 Drawers + 1 Cabinet element
Drawer property	On roller bearings, load capacity 30 kg, individual lockable
Internal drawer dimensions	H 459 x D 539 mm
Central lockable drawer box	√ / H 470 x W 511 x D 600 mm
Worktop	Beech Multiplex /1200 x 600 x 25 mm
Load capacity evenly distributed	500 kg
Dimensions / Weight	H 835 x W 1300 x D 605 mm (handle included) / 107 kg
	€ 1.198,-



Ironing Carts and Platform Trolleys

- Sturdy universal trolleys for many purposes
- Bed in angle steel with beech plywood floor, in strong welded construction, powder-coated
- Wheel set, 2 fixed castors, solid-rubber tyres 200 x 50 mm, load capacity per wheel set 500 kg
- Delivered disassembled, easy to assemble



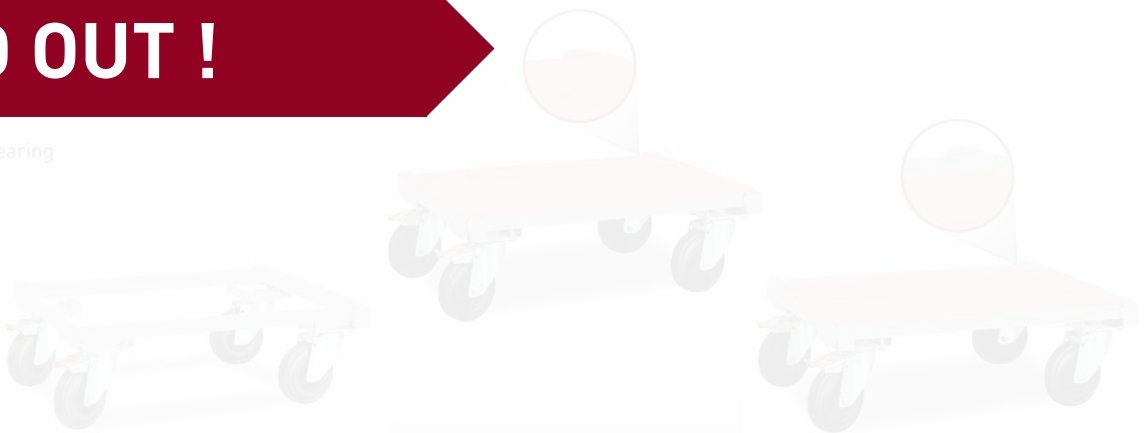
Art. No.	143.270.001
Description	Platform Trolley
Handle height	-
Removable Stanchions / Height	-
Load capacity evenly distributed	500 kg
Dimensions / Weight	H 270 x W 1200 x D 600 mm / 40 kg
€ 256,-	

Art. No.	143.270.002
Description	Ironing Cart
Handle height	950 mm
Removable Stanchions / Height	-
Load capacity evenly distributed	500 kg
Dimensions / Weight	H 270 x W 1200 x D 600 mm / 45 kg
€ 269,-	

Art. No.	143.270.003
Description	Ironing Cart
Handle height	950 mm
Removable Stanchions / Height	2 x H 800 mm / herausnehmbar
Load capacity evenly distributed	500 kg
Dimensions / Weight	H 270 x W 1200 x D 600 mm / 50 kg
€ 323,-	

▶▶ SOLD OUT !

Ø 125 mm,
- 2 with wheel locks, roller bearing



Art. No.	145.000.015
Description	Box Roller
Load capacity per wheel set	300 kg
Dimensions / Weight	H 190 x W 610 x D 410 mm / 15 kg

Art. No.	145.000.020
Description	Box Roller
Load capacity per wheel set	300 kg
Dimensions / Weight	H 190 x W 610 x D 410 mm / 20 kg

Art. No.	145.000.022
Description	Box Roller
Load capacity per wheel set	300 kg
Dimensions / Weight	H 190 x W 610 x D 410 mm / 22 kg



Art. 3912

Multi-Purpose Mobile Tool Cabinet

- Solid construction for universal use and with 3 big shelves
- External dimensions 1040 x 910 x 400 mm
- Shelf width/depth 660 x 390 mm
- Shelf load capacity max. 80 kg
- Load capacity max. 240 kg
- 4 Castor wheels, Ø 100 mm, 2 with brakes

€ 233,-
~~€ 295,-~~



Art. 3912-99

Waste bin

- For multi-purpose trolley 3912
- Made of oil and acid-resistant polypropylene

€ 54,-



3
Drawers

1
Tray



Art. 3917	L1	L2	L3	Ø	
	792mm	445mm	960mm	160kg	
	L4	690mm	410mm	104mm	40kg
	L5	650mm	355mm	45mm	20kg
	L6	650mm	355mm	68mm	30kg
	L7	650mm	355mm	100mm	30kg
	L8	768mm	410mm		40kg

Art. 3917

PRO LINE Service Mobile Tool Cabinet with 3 drawers

- With large hinged tool compartment
- 3 ball bearing drawers and shelf

€ 439,-
~~€ 580,-~~



Service Trolley



BT700



BT900

Art. 101.911.000

BASIC LINE Service Trolley 60/40, MADE IN GERMANY, empty

- Surface with rubber mat
- Shelf 40 x 60 cm
- 2 swivel castors
- Total load capacity 300 kg
- Shelf load: 100 kg



Art. 101.911.000	L1	L2	L3	ΔT
	719 mm	474 mm	1000 mm	300 kg
	L4	650 mm	465 mm	100 kg
	L5	650 mm	465 mm	100 kg

€ 269,-



Art. 101.911.001

BASIC LINE Service Trolley 80/40, MADE IN GERMANY, empty

- Surface with rubber mat
- Shelf 40 x 80 cm
- 2 swivel castors
- Total load capacity 225 kg
- Shelf load: 75 kg



Art. 101.911.001	L1	L2	L3	ΔT
	919 mm	474 mm	1000 mm	225 kg
	L4	850 mm	465 mm	75 kg
	L5	850 mm	465 mm	75 kg

€ 299,-





Rubber mat

- Easy to maintain and removable
- Rubber work surface very durable
- Anti-slip property

BT700
BT700s



Art. 191.501.001

H mm	W mm	D mm	ΔΔ kg
465	710	3	0.18

€ 33,-

PS (Polystyrene) cover

- Made of PS (polystyrene)
- Solvent resistant
- With integrated storage compartments

BT700
BT700s



Art. 143.998.201

H mm	W mm	D mm	ΔΔ kg
474	719	30	1.0

€ 44,-

Wooden panel

- Easy to maintain
- Multiplex beech wood worktop
- Ideal worktop

BT700
BT700s



Art. 191.505.001

H mm	W mm	D mm	ΔΔ kg
455	702	25	7.0

€ 219,-

Stainless steel cover

- Easy to maintain and cleanable surface
- Stainless Inox steel
- As cover for plywood multiplex board

BT700
BT700s



Art. 191.505.004

H mm	W mm	D mm	ΔΔ kg
470	720	30	3.52

€ 229,-

BT900



Art. 191.501.002

H mm	W mm	D mm	ΔΔ kg
465	910	3	0.24

€ 41,-

BT900



Art. 143.998.202

H mm	W mm	D mm	ΔΔ kg
474	919	30	1.3

€ 58,-

BT900



Art. 191.505.002

H mm	W mm	D mm	ΔΔ kg
455	902	25	8.0

€ 249,-

BT900



Art. 191.505.005

H mm	W mm	D mm	ΔΔ kg
470	920	30	4.46

€ 279,-

BT1100

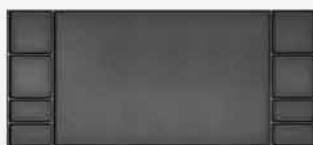


Art. 191.501.003

H mm	W mm	D mm	ΔΔ kg
465	1110	3	0.29

€ 45,-

BT1100



Art. 143.998.203

H mm	W mm	D mm	ΔΔ kg
474	1120	30	1.8

€ 62,-

BT1100



Art. 191.505.003

H mm	W mm	D mm	ΔΔ kg
455	1102	25	9.0

€ 279,-

BT1100



Art. 191.505.006

H mm	W mm	D mm	ΔΔ kg
470	1120	30	5.12

€ 339,-

BTG
Back to Germany



BTG
Back to Germany



BTG
Back to Germany



BTG
Back to Germany





BASIC LINE Mobile Tool Cabinet for BT700s, BT700 60/40 and BT900 80/40, MADE IN GERMANY, empty

- For all 40x60 and 40x80 cm BASIC LINE Mobile Tool Cabinets
- Sturdy double-walls structure
- Drawers with professional ball-bearing guide rails
- Central lock of all drawers at the side with a cylinder lock
- Load capacity per drawer 45 kg



Art. 101.900.002

	H mm	W mm	D mm
1x	75	600	400
1x	150	600	400

H mm	W mm	D mm	ΔD kg
369	719	475	45

€ 449,-

2
Drawers **BT700**
BT700s



Art. 101.901.002

	H mm	W mm	D mm
1x	75	800	400
1x	150	800	400

H mm	W mm	D mm	ΔD kg
369	919	475	45

€ 559,-

2
Drawers **BT900**



Art. 101.900.003

	H mm	W mm	D mm
3x	75	600	400

H mm	W mm	D mm	ΔD kg
369	719	475	45

€ 499,-

3
Drawers **BT700**
BT700s



Art. 101.901.003

	H mm	W mm	D mm
3x	75	800	400

H mm	W mm	D mm	ΔD kg
369	919	475	45

€ 669,-

3
Drawers **BT900**

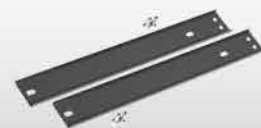
EMPTY





BASIC LINE Perforated back panel for Mobile Tool Cabinets BT700s | BT700 | BT900 | BT1100

- For holding additional tools
- Clear tool mounting
- Sturdy sheet steel construction
- Incl. mounting material

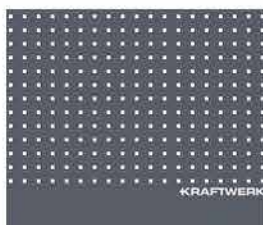


Art. 191.509.001

H mm	W mm	D mm	ΔΔ kg
600	719	30	3.5

€ 179,-

**BT700
BT700s**

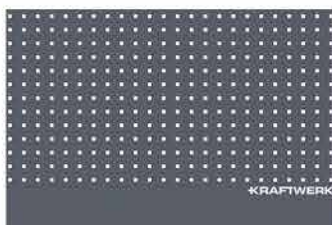


Art. 191.509.003

H mm	W mm	D mm	ΔΔ kg
600	919	30	4.0

€ 219,-

BT900

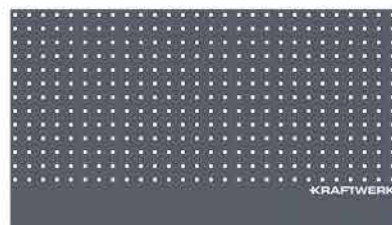


Art. 191.509.005

H mm	W mm	D mm	ΔΔ kg
600	1119	30	4.3

€ 239,-

BT1100



Art. 191.509.002

H mm	W mm	D mm	ΔΔ kg
800	719	30	4.6

€ 219,-

**BT700
BT700s**

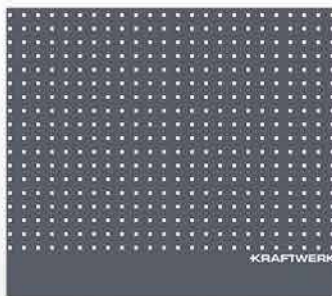


Art. 191.509.004

H mm	W mm	D mm	ΔΔ kg
800	919	30	5.3

€ 239,-

BT900

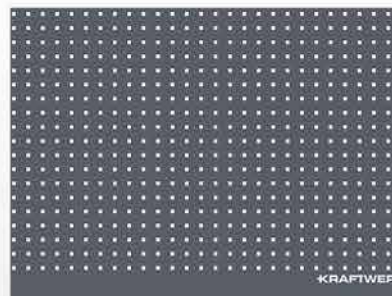


Art. 191.509.006

H mm	W mm	D mm	ΔΔ kg
800	1119	30	5.7

€ 269,-

BT1100



BTG
Back to Germany



BTG
Back to Germany



BTG
Back to Germany



TOOL CABINET ACCESSORIES



€ 55,-
~~€ 62,-~~

Art. 145.143.010

Paper roll holder

- For paper rolls up to Ø 300 mm
- Pipe diameter: 20 mm
- W 300 x H 150 x D 220 mm, Δ 1,6 kg



€ 13,90
~~€ 18,90~~

Art. 145.143.011

Storage insert

- For cans and small parts
- W 60 x H 215 x D 90 mm, Δ 0,5 kg



€ 89,-
~~€ 101,-~~

Art. 145.143.012

Storage insert with handles for 8 cans

- Compartment size 75 x 80 mm, large handle, variably divisible (= chemical can holder)
- W 300 x H 100 x D 160 mm, Δ 2,5 kg



€ 49,-
~~€ 59,-~~

Art. 145.143.013

Waste basket

- W 300 x H 300 x D 160 mm, Δ 3,5 kg



€ 109,-

Art. 191.510.004



€ 29,-

Art. 191.510.001



Edge protector

- Suitable for all KRAFTWERK Mobile Tool Cabinets of the BT series
- Prevents damage to paint and bodywork
- W 710 x H 35 x D 35 mm

HOOKS / TOOL HOLDERS



Tool hook

With straight mandrel



Art.	1 mm	Ø mm	ΔTΔ g	Euro	
145.100.050	50	6	34	€ 1,90	€ 2,30
145.100.102	102	6	46	€ 2,60	€ 3,10
145.100.150	150	6	56	€ 3,10	€ 3,80

Double hook

With straight rods



Art.	1 mm	Ø mm	ΔTΔ g	Euro	
145.110.050	50	6	74	€ 3,40	€ 5,20
145.110.102	102	6	98	€ 3,50	€ 6,30
145.110.150	150	6	118	€ 3,50	€ 6,30

Narrow right-angled hook



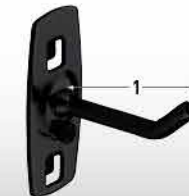
Art.	1 mm	Ø mm	ΔTΔ g	Euro	
145.111.035	35	6	34	€ 2,10	€ 3,70
145.111.070	70	6	46	€ 2,40	€ 3,70
145.111.135	135	6	56	€ 3,40	€ 4,10

Double hook right angle



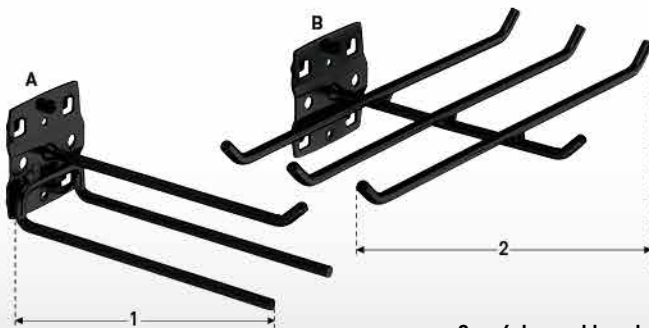
Art.	1 mm	Ø mm	ΔTΔ g	Euro	
145.112.035	35	6	76	€ 3,40	€ 6,20
145.112.050	50	6	80	€ 3,40	€ 6,20
145.112.075	75	6	90	€ 3,50	€ 6,20
145.112.150	150	6	98	€ 3,50	€ 8,90

Hook with inclined shaft



Art.	1 mm	Ø mm	ΔTΔ g	Euro	
145.120.050	50	6	34	€ 2,10	€ 3,70
145.120.100	100	6	46	€ 2,90	€ 4,10
145.120.150	150	6	56	€ 3,40	€ 4,10
145.120.200	200	6	68	€ 3,50	€ 4,70

3 or 6-legged bracket



Art.	1 mm	2 mm	Ø mm	ΔTΔ g	Euro	
145.113.045	A	45	150	6	170	€ 5,50 € 14,50
145.113.140	B	240	140	6	256	€ 8,50 € 30,20

Tool Pliers, single



Art.	Ø mm	ΔTΔ g	Euro	
145.122.006	6	24	€ 3,50	€ 4,70
145.122.010	10	25	€ 3,50	€ 5,10
145.122.013	13	26	€ 3,50	€ 5,10
145.122.016	16	27	€ 3,50	€ 5,10
145.122.019	19	28	€ 3,50	€ 5,10

Inclined Hook for inserts



Art.	1 mm	2 mm	Ø mm	ΔTΔ g	Euro	
145.121.040	15	35	6	34	€ 2,10	€ 4,10

Tool Clamp, wide base plate



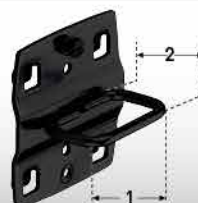
Art.	1 mm	Ø mm	ΔTΔ g	Euro	
145.123.025	25	25	58	€ 3,50	€ 8,30
145.123.028	28	28	60	€ 3,50	€ 7,30
145.123.032	32	23	64	€ 3,50	€ 10,30

Clamp holder long



Art.	1 mm	2 mm	ΔTΔ g	Euro	
145.124.027	27	65	68	€ 2,90	€ 8,30

Clamp holder



Art.	1 mm	2 mm	ΔTΔ g	Euro	
145.125.035	35	20	62	€ 3,50	€ 6,20
145.125.075	75	20	62	€ 3,60	€ 7,20



Circular holder

Art.	∅ mm	Δ∇ g	€uro
145.126.060	60	72	€ 4,80 € 15,50
145.126.080	80	80	€ 5,60 € 16,60



Tool holder with circular pockets, single

Art.	↔ mm	∅ mm	Δ∇ g	€uro
145.137.001	100	70	200	€ 6,90 € 25,00

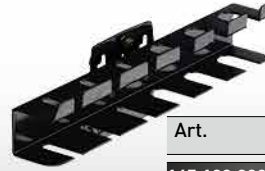
Height: ↓
Width: ↔
Depth: ↗

Please order in pairs



Tube support

Art.	↔ mm	∅ mm	Δ∇ g	€uro
145.127.060	35	60	114	€ 4,80 € 15,50
145.127.100	35	100	156	€ 5,60 € 16,60



Screwdriver holder

For 6 and 12 parts

Art.	↔ mm	↗ mm	Δ∇ g	€uro
145.129.200	6	200	30 200	€ 6,80 € 20,70
145.129.390	12	390	30 400	€ 9,80 € 29,20

Please order in pairs



Support for saws

For 4 saws

Art.	↑ mm	↗ mm	Δ∇ g	€uro
145.128.080	52	80	85	€ 3,50 € 14,50

Drill holder

For 14 drills: je 2x ∅ 3.0-4.2-6.5-7.5-8.5-16.5 mm / each 1x ∅ 10.5-12.5 mm
For 28 drills: je 4x ∅ 3.2-4.2-6.5-7.5-8.5-16.5 mm / each 2x ∅ 10.5-12.5 mm



Art.	↔ mm	↗ mm	Δ∇ g	€uro
145.130.200	200	28	200	€ 6,90 € 20,70
145.130.390	390	28	400	€ 12,90 € 36,40



Wrench holder

For 10 wrenches

Art.	↑ mm	↗ mm	Δ∇ g	€uro
145.129.227	75-145	220	480	€ 13,90 € 29,20



Hexagon socket holder

For 9 hexagon L-key wrenches

Art.	↔ mm	↗ mm	Δ∇ g	€uro
145.131.200	200	73	220	€ 7,90 € 26,00



Holder for bit cones

For 7 bits

Art.	↔ mm	↗ mm	Δ∇ g	€uro
145.132.150	150	35	200	€ 4,40 € 20,70



Holder for sockets

For 12 pieces

Art.	↔ mm	↗ mm	Δ∇ g	€uro
145.133.390	390	30	500	€ 12,90 € 36,40



Tool holder

Art.	↔ mm	↑ mm	↗ mm	Δ∇ g	€uro
145.134.340	325	55	135	1100	€ 29,00 € 43,70



Combined holder

In 2 elements

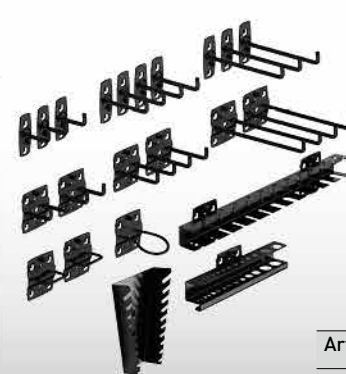
Art.	↔ mm	↗ mm	Δ∇ g	€uro
145.135.150	60	150	400	€ 11,90 € 50,00



Storage shelf

For small parts and tools

Art.	↔ mm	↗ mm	Δ∇ g	€uro
145.138.350	350	125	600	€ 9,90 € 25,00
145.138.445	445	150	900	€ 12,50 € 35,00

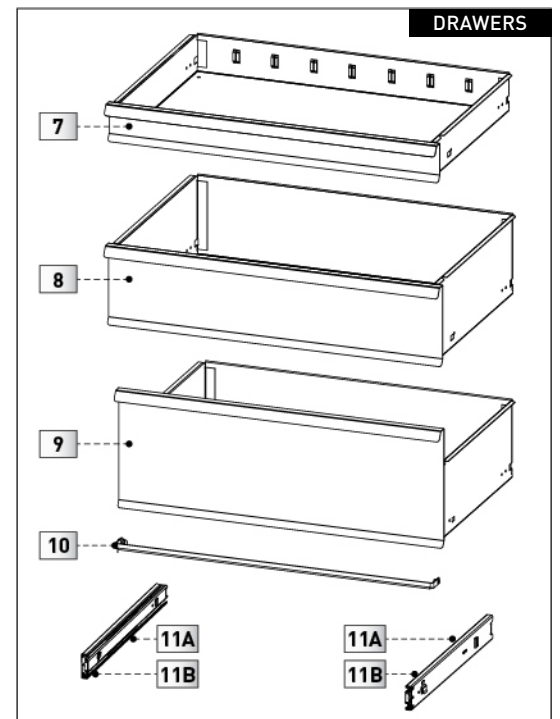
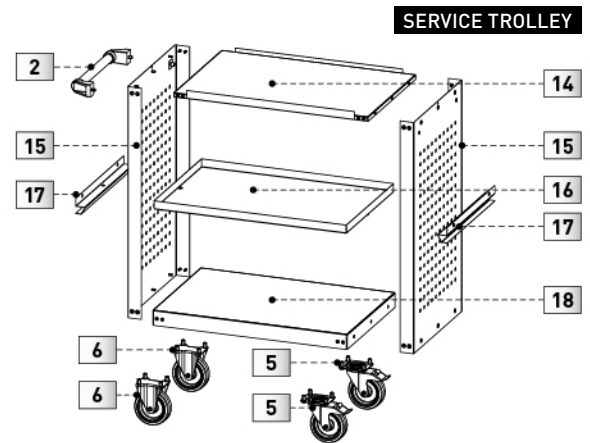
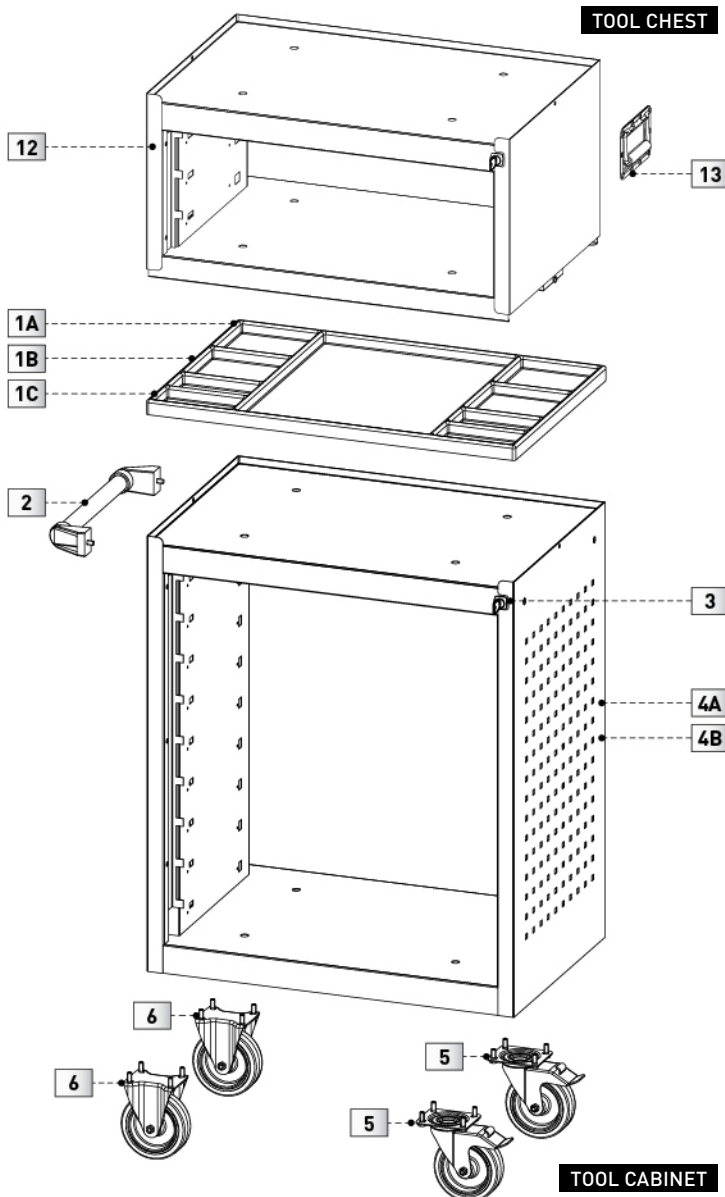


Assortment of hooks and holders, 22 pcs.

- 4 x Art. 145.111.070, L= 70 mm
- 3 x Art. 145.111.135, L=135 mm
- 2 x Art. 145.112.035, L= 35 mm
- 2 x Art. 145.112.075, L= 75 mm
- 2 x Art. 145.112.150, L= 150 mm
- 2 x Art. 145.125.055, W= 55 mm
- 1 x Art. 145.126.060, ∅= 60 mm
- 1 x Art. 145.129.390, for 12 screwdrivers
- 1 x Art. 145.129.227, for 10 wrenches
- 1 x Art. 145.130.200, for 14 drills

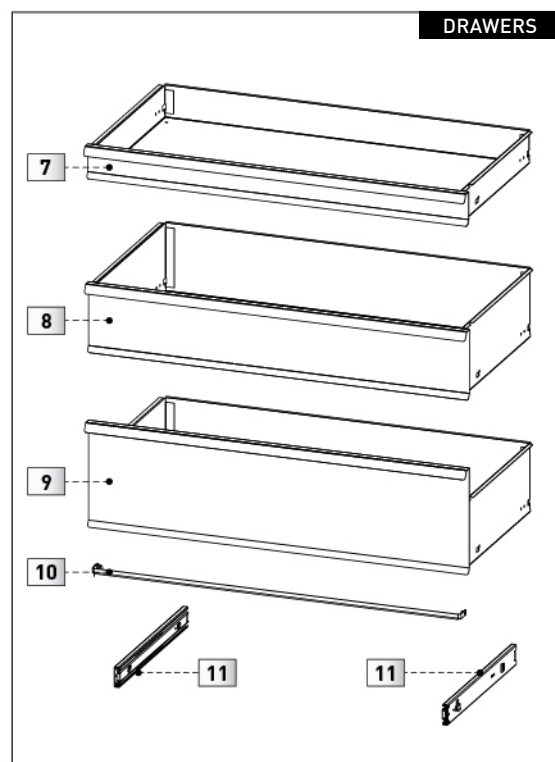
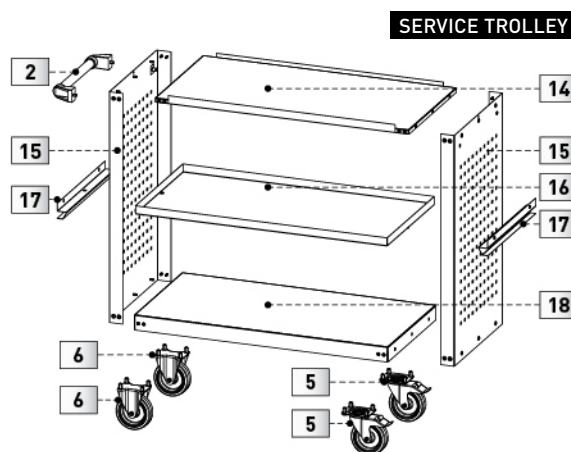
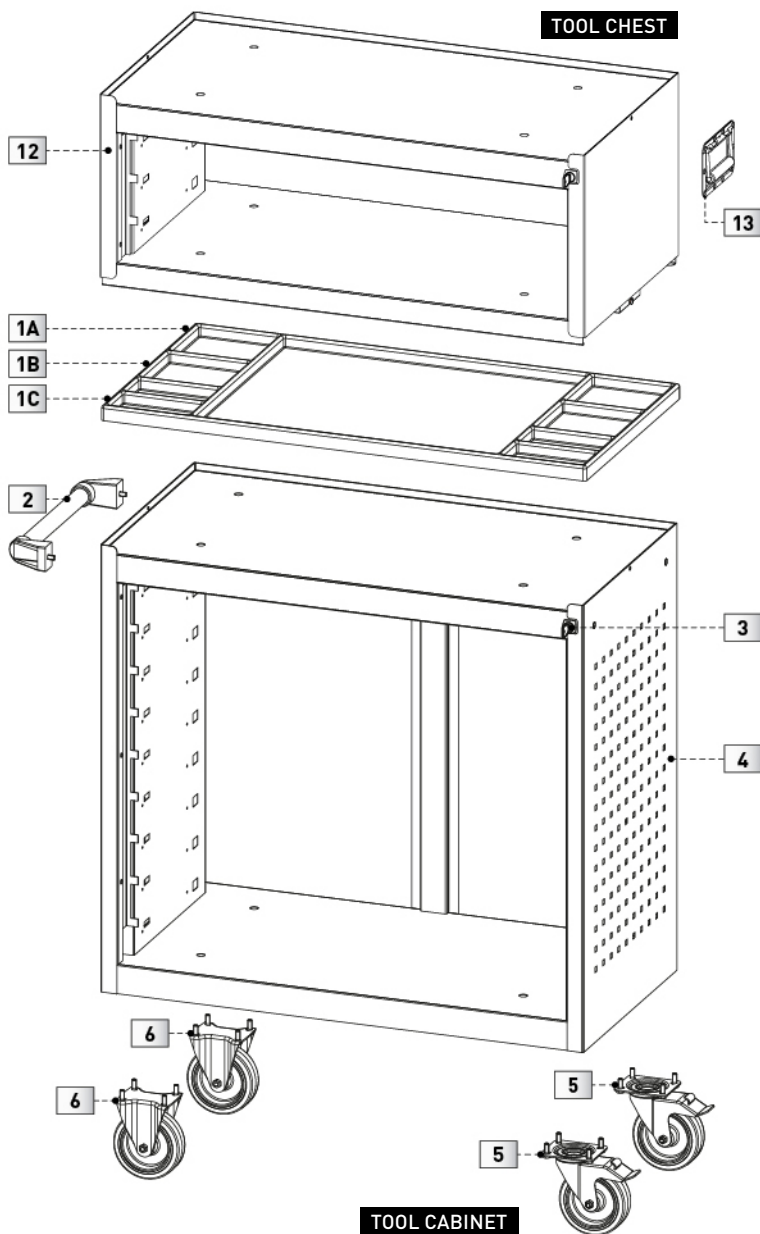
Art.	Δ∇ g	€uro
145.100.900	2270	€ 55,00 € 74,30

SPARE PARTS FOR TOOL CABINETS + SERVICE TROLLEYS BT700S/BT700



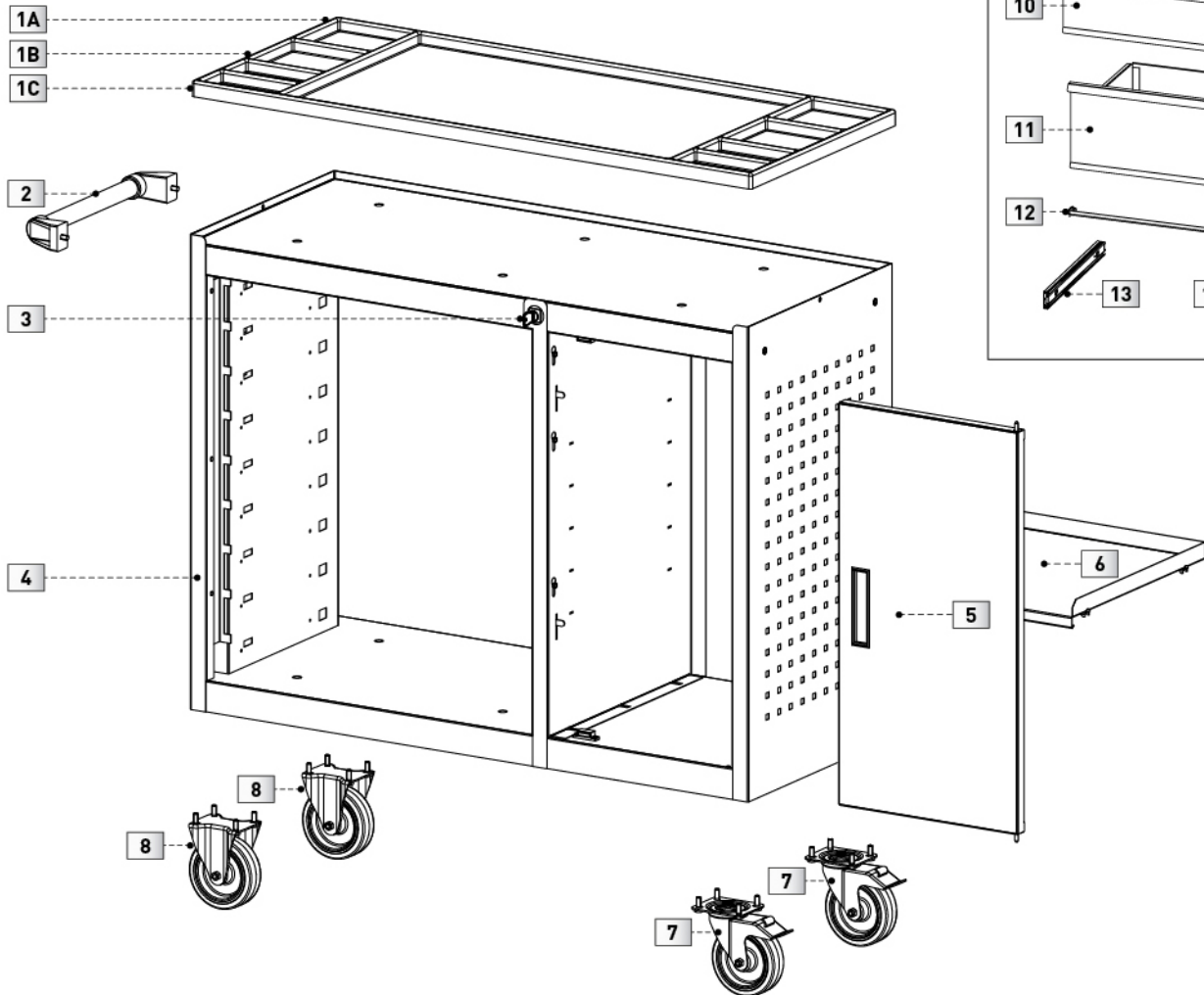
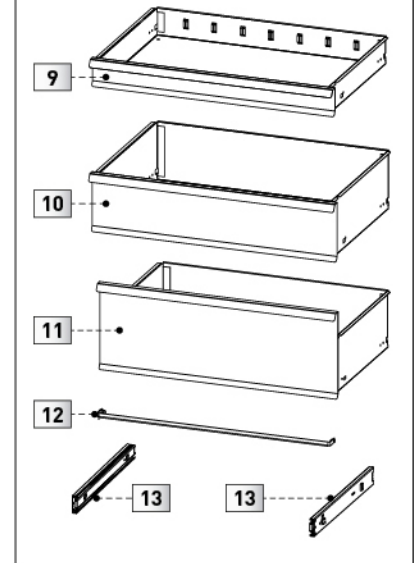
No.	Art.	Description	Pcs.	€uro
1A	143.998.201	PS Cover for Mobile Tool Cabinet BT700s/BT700	1	€ 41,00
1B	191.501.001	Rubber mat for Mobile Tool Cabinet BT700s/BT700	1	€ 32,00
1C	191.505.001	Wooden top for Mobile Tool Cabinet BT700s/BT700	1	€ 219,00
2	143.998.101	Cabinet handle for tool trolley BT700s/BT700/BT900/BT1100	1	€ 25,70
3	191.504.001	Lock for Mobile Tool Cabinet BT700s/BT700/BT900/BT1100	1	€ 20,90
4A	191.502.011	Body for Mobile Tool Cabinet BT700s	1	€ 176,57
4B	191.502.001	Body for Mobile Tool Cabinet BT700	1	€ 188,42
5	143.998.001	Swivel castor with brake for Mobile Tool Cabinet BT700s/BT700/BT900/BT1100	1	€ 45,60
6	143.998.002	Rigid castor for Mobile Tool Cabinet BT700s/BT700/BT900/BT1100	1	€ 37,50
7	191.503.001	Drawer for Mobile Tool Cabinet BT700s/BT700/BT1100 75mm height	1	€ 166,97
8	191.503.002	Drawer for Mobile Tool Cabinet BT700s/BT700/BT1100 150mm height	1	€ 179,88
9	191.503.003	Drawer for Mobile Tool Cabinet BT700s/BT700/BT1100 225mm height	1	€ 192,80
10	191.504.002	Unlocking bar for drawer BT700s/BT700/ BT1100	1	€ 11,61
11A	191.117.010	Rail for BT700s without anti-tilt function	2	€ 12,50
11B	191.117.011	Rail for BT700/BT900/BT1100 with anti-tilt function	2	€ 25,00
12	191.507.001	Carcass to top 40x60	1	€ 115,18
13	191.508.001	Handle to top BASIC trolley	1	€ 33,90
14	191.507.006	Top floor for service trolley BT700	1	€ 50,48
15	191.507.003	Side panel for service trolley BT700/ BT900	1	€ 64,50
16	191.507.005	Middle floor for service trolley BT700	1	€ 50,48
17	191.507.010	List for medium shelf service trolley BT700/BT900	1	€ 33,70
18	191.507.004	Bottom shelf for service trolley BT700	1	€ 50,48

SPARE PARTS FOR TOOL CABINETS + SERVICE TROLLEYS BT900



No.	Art.	Description	Pcs.	€uro
1A	143.998.202	PS Cover for Mobile Tool Cabinet BT900	1	€ 53,00
1B	191.501.002	Rubber mat for Mobile Tool Cabinet BT900	1	€ 39,00
1C	191.505.002	Wooden top for Mobile Tool Cabinet BT900	1	€ 249,00
2	143.998.101	Cabinet handle for tool trolley BT700s/BT700/BT900/BT1100	1	€ 25,70
3	191.504.001	Lock for Mobile Tool Cabinet BT700s/BT700/BT900/BT1100	1	€ 20,90
4	191.502.002	Body for Mobile Tool Cabinet BT900	1	€ 235,82
5	143.998.001	Swivel castor with brake for Mobile Tool Cabinet BT700s/BT700/BT900/BT1100	1	€ 45,60
6	143.998.002	Rigid castor for Mobile Tool Cabinet BT700s/BT700/BT900/BT1100	1	€ 37,50
7	191.503.011	Drawer for Mobile Tool Cabinet BT900 75 mm height	1	€ 179,88
8	191.503.012	Drawer for Mobile Tool Cabinet BT900 150 mm height	1	€ 192,80
9	191.503.013	Drawer for Mobile Tool Cabinet BT900 225 mm height	1	€ 205,72
10	191.504.003	Unlocking bar for drawer BT900	1	€ 11,60
11	191.117.011	Rail for BT700/BT900/BT1100 with anti-tilt function	2	€ 25,00
12	191.507.002	Carcase to Top 40x80	1	€ 128,10
13	191.508.001	Handle to top BASIC trolley	1	€ 33,90
14	191.507.009	Top floor for service trolley BT900	1	€ 63,40
15	191.507.003	Unlocking bar for drawer BT900	1	€ 76,43
16	191.507.008	Middle floor for service trolley BT900	1	€ 63,40
17	191.507.010	List for medium shelf service trolley BT700/ BT900	1	€ 33,70
18	191.507.007	Bottom shelf for service trolley BT900	1	€ 63,40

SPARE PARTS FOR TOOL CABINET BT1100

TOOL CABINET

DRAWERS


No.	Art.	Description	Pcs.	€uro
1A	143.998.203	PS Cover for Mobile Tool Cabinet BT1100	1	€ 58,00
1B	191.501.003	Rubber mat for Mobile Tool Cabinet BT1100	1	€ 43,00
1C	191.505.003	Wooden top for Mobile Tool Cabinet BT1100	1	€ 279,00
2	143.998.101	Cabinet handle for tool trolley BT700s/BT700/BT900/BT1100	1	€ 25,70
3	191.504.001	Lock for Mobile Tool Cabinet BT700s/BT700/BT900/BT1100	1	€ 20,90
4	191.502.003	Body for Mobile Tool Cabinet BT1100	1	€ 283,22
5	191.506.001	Door for Mobile Tool Cabinet BT1100	1	€ 117,32
6	191.506.011	Storage compartment for Mobile Tool Cabinet BT1100	1	€ 50,48
7	143.998.001	Swivel castor with brake for Mobile Tool Cabinet BT700s/BT700/BT900/BT1100	1	€ 45,60
8	143.998.002	Rigid castor for Mobile Tool Cabinet BT700s/BT700/BT900/ BT1100	1	€ 37,50
9	191.503.001	Drawer for Mobile Tool Cabinet BT700s/BT700/BT1100 75 mm height	1	€ 166,97
10	191.503.002	Drawer for Mobile Tool Cabinet BT700s/BT700/BT1100 150 mm height	1	€ 179,88
11	191.503.003	Drawer for Mobile Tool Cabinet BT700s/BT700/BT1100 225 mm height	1	€ 192,80
12	191.504.002	Unlocking bar for drawer BT700s/BT700/BT1100	1	€ 11,61
13	191.117.011	Rail for BT700/BT900/BT1100 with anti-tilt function	2	€ 25,00

SINGLE TOOL INSERTS BASIC LINE EVA



600 x 400 x 40 mm

Art. 105.102.011

BASIC LINE Socket Set Insert, 1/4" + 3/8" + 1/2", 86 pcs.

- 1/4" + 3/8" + 1/2" Reversible ratchets
- 1/4" Sockets: 4 - 14mm
- 1/4" Deep Sockets: 4 - 10 mm
- 1/4" Extensions: 50 + 100 mm
- 3/8" Sockets: 10 - 24 mm
- 3/8" Deep Sockets: 10 - 19mm
- 3/8" Extensions: 75 + 150 mm
- 1/2" Sockets: 14 - 32 mm
- 1/2" Extensions: 125 + 250 mm
- 1/4" + 3/8" + 1/2" Universal Joint
- 3/8" Spark Plug Sockets: 16 + 21 mm
- Various Adapters
- 1/4" Schraubendreher-Bits
- Flashlight



€ 185,-
~~€ 222,-~~



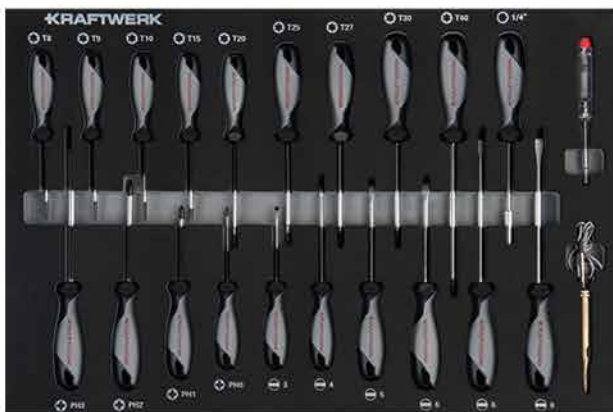
Art. 105.102.012

BASIC Line Combination / Double Ended Ring Spanners and L-Key Wrenches Insert, 46 pcs.

- Combination Spanners: 5.5 - 24mm
- Double Ended Ring Spanners: 6 x 7 - 20 x 22mm
- Ball Point Hexagon L-Key Wrenches: 1.5-10mm
- TX L-Key Wrenches: T10-T50



€ 185,-
~~€ 222,-~~



Art. 105.102.013

BASIC LINE Screwdriver Insert, 22 pcs.

- Slotted Screwdriver: 3 - 8mm
- PH Screwdriver PH0 - PH3
- TX Screwdriver: T8 - T40
- Phase tester 110-250V GS-tested
- Phase tester 12V GS-tested



€ 99,-
~~€ 127,-~~



Art. 105.102.014

BASIC LINE Pliers / Measuring Insert, 13 pcs.

- Pressing Plier for Terminals, 1,5 - 6 mm³
- Combination Plier: 180 mm / 7"
- Diagonal Cutter: 160 mm / 6.1/2"
- Flat Nose Plier: 200 mm / 8"
- Water Pump Plier: 250 mm / 10"
- Grip Plier: 250 mm / 10"
- Circlip Pliers: A2, A21, J2, J21
- Steel Tape Measure 5 m
- Caliper Gauge, 150mm/0.05mm x 1/128"
- Universal Scissors



€ 169,-
~~€ 198,-~~



Art. 105.102.015

BASIC LINE Socket Wrench Insert, 1/4"+3/8"+1/2", 107 pcs.

- 1/4" Outside TX Sockets: TX E4 - E10
- 3/8" Outside TX Sockets: TX E10 - E24
- 1/2" Outside TX Sockets: TX E10 - E20
- 1/2" TX Screwdriver Bit Sockets: T30 - T60
- 1/2" TX Screwdriver Bit Sockets, 100 mm: T30 - T55
- 1/2" Hexagon Screwdriver Bit Sockets: 5 - 10mm
- 1/2" Hexagon Screwdriver Bit Sockets, 100mm: 6 - 12mm
- 1/2" XZN Screwdriver Bit Sockets: M5 - M12
- 1/2" XZN Screwdriver Bit Sockets, 100 mm: M5 - M10
- 5/16" Slotted Screwdriver Bits: 8 - 12mm
- 5/16" PH Screwdriver Bit: PH-PH4
- 5/16" PZ Screwdriver Bit: PZ PZ4
- 5/16" XZN Screwdriver Bits: M5 - M12
- 5/16" TX Screwdriver Bits: T45 - T80
- TX Screwdriver Bits with hole, TT45 - TT70
- 5/16" Hexagon Screwdriver Bits 8 - 14mm
- 1/4" Slotted Screwdriver Bit Sockets: 4 - 6.5mm
- 1/4" PH Screwdriver Bit Sockets: PH1 - PH3
- 1/4" PZ Screwdriver Bit Sockets: PZ1 - PZ3
- 1/4" TX Screwdriver Bit Sockets: T8- T40
- 1/4" Hexagon Screwdriver Bit Socket: 3 - 8mm
- 1/4" TX Screwdriver Bit Sockets with Hole: TT10 - TT40



€ 165,-
~~€ 210,-~~



Art. 105.102.016

BASIC LINE Striking / Cutting Tool and File Insert, 27 pcs.

- Flat Chisel 18mm
- Flat Chisel 22mm
- Center Punch: 2 x 120 mm
- Pin Punch 2mm x 115mm - 8mm x 180mm
- Professional Hacksaw: 300 mm
- File
- Half-Round File
- Round File
- Triangular File
- Snapp-Off Knife: 18mm (with 5 spare blades)
- Spare Blades Set, 18 mm: 10 pcs.
- German Engineer Hammer, hickory: 300 g
- Plastic Hammer 35mm



€ 129,-
~~€ 148,-~~



Art. 105.102.017

BASIC LINE Wrench Drawer 1/4" + 1/2" Socket Insert, 164 pcs.

- 1/4" + 1/2" Reversible ratchets
- 1/4" Sockets: 4 - 14 mm
- 1/4" Deep Sockets: 6 - 13 mm
- 1/4" Extensions: 50 + 100 mm
- 1/2" Sockets: 10 - 32 mm
- 1/2" Extensions: 125 + 250 mm
- 1/4" Slotted Screwdriver Bits: 4.0 - 8 mm
- 1/4" PH Screwdriver Bits: PH0 - PH4
- 1/4" PZ Screwdriver Bits: PZ1 - PZ4
- 1/4" TX Screwdriver Bits: T8 - T40
- 1/4" Hexagon Screwdriver Bits: 3 - 8 mm
- 1/4" XZN Screwdriver Bits: M5 - M8
- 1/4" Square Screwdriver Bits: 25mm R1 - R2
- 5/16" Slotted Screwdriver Bits: 10 - 12 mm
- 5/16" TX Screwdriver Bits: T45 - T60
- 5/16" TX Screwdriver Bits with hole: T45 - T60
- 1/4" + 1/2" Universal Joint
- 1/2" Spark Plug Sockets: 16 + 21 mm
- Various Adapters



€ 159,-
~~€ 203,-~~



Art. 105.102.018

BASIC LINE Screwdriver / Striking Tool Insert, 49 pcs.

- Micro Bit Box, 29 pcs.
- Needle File Set, 6 pcs.
- LED Alu Flashlight (excl. 3 x AAA)
- Slot Screwdriver 3.5 8 mm
- Stubby Slot Screwdriver 6.5 mm
- PH Screwdriver PH1 - PH2
- Stubby PH Screwdriver PH2
- Phase tester 110-250V GS approved
- German Engineer Hammer, hickory: 300 g
- Plastic Hammer 35 mm
- Flat File



€ 143,-
~~€ 179,-~~



Art. 105.102.019

BASIC LINE Combination Spanner/ Punch/ Cutting Tool Insert, 46 pcs.

- Combination Spanner 6 - 22mm
- Professional Hacksaw: 300 mm
- Knife: 9mm
- Knife: 18mm
- Spare Blade Set, 9 mm, 10 pcs.
- Spare Blade Set, 18 mm, 10 pcs.
- Pin Punch: 2mm x 115mm - 8mm x 180mm
- Centre Punch: 2 x 120 mm
- Flat Chisel: 18 + 22mm



€ 143,-
~~€ 168,-~~



Art. 105.102.110

BASIC LINE Pliers and L-Key Insert, 78 pcs.

- Circlip Pliers: A2, A21, J2, J21
- Terminal Assortments
- Pressing Plier for Terminals, 1,5 - 6 mm²
- Combination Plier: 180 mm / 7"
- Diagonal Cutter: 160 mm / 6.1/2"
- Flat Nose Plier: 200 mm / 8"
- Water Pump Plier: 250 mm / 10"
- Universal Scissors 185mm
- Ball Point Hexagon L-Key Wrenches: 1.5 - 10 mm, 9 pcs.
- TX L-Key Wrenches: T10 - T50, 9 pcs.



€ 99,-
~~€ 119,-~~



Art. 105.102.099

BASIC LINE Tool Assortment, 301 pcs.

- Generous workshop equipment with 301 tools
- Embedded in 6 special high density soft foam trays (EVA)
- Combination wrenches from 5.5 - 24 mm
- Ratchets 1/4"+3/8"+1/2"
- 1/4" Sockets: 4 - 14 mm
- 3/8" Sockets: 10 - 24 mm
- 1/2" Sockets: 14 - 32 mm
- Pliers / measuring tool
- Striking-/cutting tool and file
- 1/4"+1/2" Slotted, PH, PZ, TX, XZN and Hexagon Screwdriver Bit Socket
- 1/4"+3/8"+1/2" Outside TX Sockets
- 5/16" Slotted, PH, PZ, TX, TX with hole, XZN, Hexagon Screwdriver Bit



€ 925,-
~~€ 1.150,-~~



Art. 105.103.001

**BASIC LINE Tool Assortment,
337 pcs.**

- Embedded in 4 special high density soft foam trays (EVA)
- Combination Spanners: 6 - 22 mm
- Ratchets 1/4" + 1/2"
- 1/4" Sockets: 4 - 14 mm
- 1/2" Sockets: 10 - 32 mm
- Optional Art.-No. 3235 Torque Wrench, 1/2", 40-200 Nm



€ 589,-

€ 678,-



Art. 105.103.002

**BASIC LINE Tool Assortment,
154 pcs.**

- Generous workshop equipment with 154 tools
- Embedded in 3 special high density soft foam trays (EVA)
- Combination wrenches from 5.5 - 24 mm
- Ratchets 1/4"+3/8"+1/2"
- 1/4" Sockets: 4 - 14 mm
- 3/8" Sockets: 10 - 24 mm
- 1/2" Sockets: 14 - 32 mm
- Slotted Screwdriver: 3 - 8 mm
- PH Screwdriver: PH0 - PH3
- TX Screwdriver: T8 - T40



€ 469,-

€ 582,-



Art. 105.103.003

**BASIC LINE Tool Assortment,
147 pcs.**

- Generous workshop equipment with 147 tools
- Embedded in 3 special high density soft foam trays (EVA)
- Pliers / Measuring Tools
- Striking / Cutting Tool and File
- 1/4"+1/2" Slotted, PH, PZ, TX, XZN and Hexagon Screwdriver Bit Socket
- 1/4"+3/8"+1/2" Outside TX Sockets
- 5/16" Slotted, PH, PZ, TX, TX with hole, XZN, Hexagon Screwdriver Bit



€ 459,-

€ 572,-

TOOL ASSORTMENTS



Art. 105.509.000

PRO LINE COMPLETO tool assortment, 290 pcs.

- 290 selected, high-quality tools
- Embedded in 15 tool trays
- Combination Spanners: 5.5 - 24 mm
- 1/4" + 3/8" + 1/2" Ratchets
- 1/4" Sockets: 3.5 - 14 mm
- 3/8" Sockets: 8 - 24 mm
- 1/2" Sockets: 10 - 32 mm

€ 1.342,-

~~€ 1.700,-~~



Art. 105.515.000

PRO LINE COMPLETO EVA tool assortment, 280 pcs.

- 280 selected, high-quality tools
- 6 special high density soft foam inserts
- Combination Spanners: 5.5 - 32 mm
- 1/4" + 3/8" + 1/2" Ratchets
- 1/4" Sockets: 3.5 - 14 mm
- 3/8" Sockets: 8 - 24 mm
- 1/2" Sockets: 10 - 32 mm
- with Art. 3235 Torque spanner, 1/2", 40-200 Nm

€ 1.654,-

~~€ 2.030,-~~



Art. 105.516.000

PRO LINE COMPLETO EVA tool assortment, 187 pcs.

- 187 selected, high-quality tools
- 7 special high density soft foam inserts
- Combination Spanners: 5.5 - 32 mm
- 1/4" + 3/8" + 1/2" Ratchets
- 1/4" Sockets: 3.5 - 14 mm
- 3/8" Sockets: 8 - 24 mm
- 1/2" Sockets: 10 - 32 mm

€ 935,-

~~€ 1.130,-~~



Art. 105.518.000

PRO LINE COMPLETO EVA tool assortment, 308 pcs.

- 308 selected, high-quality tools
- Embedded in 18 special high density soft foam trays
- Combination Spanners: 5.5 - 24 mm
- 1/4"+3/8"+1/2" Ratchets
- 1/4" Sockets: 3.5 - 14 mm
- 3/8" Sockets: 8 - 24 mm
- 1/2" Sockets: 10 - 32 mm

€ 1.970,-

~~€ 2.310,-~~



Art. 105.520.000

PRO LINE COMPLETO EVA tool assortment, 236 pcs.

- 236 selected, high-quality tools
- 10 special high density soft foam inserts
- Combination Spanners: 5.5 - 32 mm
- 1/4" + 3/8" + 1/2" Ratchets
- 1/4" Sockets: 3.5 - 14 mm
- 3/8" Sockets: 8 - 24 mm
- 1/2" Sockets: 10 - 32 mm

€ 1.238,-

~~€ 1.480,-~~



Art. 105.522.000

PRO LINE COMPLETO EVA tool assortment, 273 pcs.

- 273 selected, high-quality tools
- 13 special high density soft foam inserts
- Combination Spanners: 5.5 - 32 mm
- 1/4" + 3/8" + 1/2" Ratchets
- 1/4" Sockets: 3.5 - 14 mm
- 3/8" Sockets: 8 - 24 mm
- 1/2" Sockets: 10 - 32 mm

€ 1.446,-

~~€ 1.830,-~~



Art. 105.524.000

PRO LINE COMPLETO EVA tool assortment, 273 pcs.

- 273 selected, high-quality tools
- 13 special high density soft foam inserts
- Combination Spanners: 5.5 - 32 mm
- 1/4" + 3/8" + 1/2" Ratchets
- 1/4" Sockets: 3.5 - 14 mm
- 3/8" Sockets: 8 - 24 mm
- 1/2" Sockets: 10 - 32 mm

€ 1.446,-

~~€ 1.820,-~~



Art. 105.526.000

PRO LINE COMPLETO EVA tool assortment, 276 pcs.

- 276 selected, high-quality tools
- Combination Spanners: 5.5 - 32 mm
- 1/4"+3/8"+1/2" Ratchets
- 1/4" Sockets: 3.5 - 14 mm
- 3/8" Sockets: 8 - 24 mm
- 1/2" Sockets: 10 - 32 mm
- 1/2" Torque Wrench: 40 - 200 Nm / 30 - 150 lbf-ft
- 1/2" Impact Sockets: 13 - 36 mm
- Incl. Art. 3833 Impact wrench 1/2", 920 Nm

€ 2.070,-

~~€ 2.430,-~~



Art. 105.528.000

PRO LINE COMPLETO EVA tool assortment, 219 pcs.

- 219 selected, high-quality tools
- Embedded in 10 special high density soft foam trays
- Combination Spanners: 5.5 - 24 mm
- 1/4"+3/8"+1/2" Ratchets
- 1/4" Sockets: 3.5 - 14 mm
- 3/8" Sockets: 8 - 24 mm
- 1/2" Sockets: 10 - 32 mm

€ 1.238,-

~~€ 1.480,-~~



Art. 105.530.000

PRO LINE COMPLETO EVA tool assortment, 280 pcs.

- Generous workshop equipment with 280 professional tools
- Embedded in 13 special high density soft foam trays
- Combination Spanners: 5.5 - 24 mm
- 1/4"+3/8"+1/2" Ratchets
- 1/4" Sockets: 3.5 - 14 mm
- 3/8" Sockets: 8 - 24 mm
- 1/2" Sockets: 10 - 32 mm

€ 1.654,-

~~€ 1.980,-~~



Art. 105.532.000

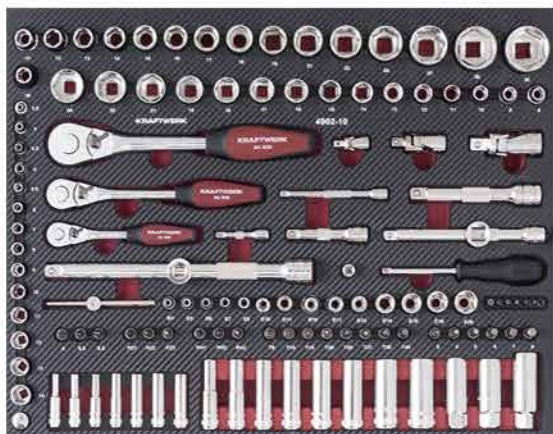
PRO LINE COMPLETO EVA tool assortment, 264 pcs.

- Generous workshop equipment with 264 professional tools
- Embedded in 13 special high density soft foam trays
- Combination Spanners: 5.5 - 24 mm
- 1/4"+3/8"+1/2" Ratchets
- 1/4" Sockets: 3.5 - 14 mm
- 3/8" Sockets: 8 - 24 mm
- 1/2" Sockets: 10 - 32 mm

€ 1.660,-

~~€ 2.010,-~~

SINGLE TOOL INSERTS PRO LINE COMPLETO EVA



407 x 527 x 30 mm

Art. 4902-10-1

PRO LINE COMPLETO EVA Drive socket tray 1/4"+ 3/8"+ 1/2", 125 pcs.

- Ratchet handle, 1/4"
- Sockets, 3,5 - 4 - 4,5 - 5 - 5,5 - 6 - 7 - 8 - 9 - 10 - 11 - 12 - 13 - 14 mm
- Sockets, deep, 4 - 5 - 6 - 7 - 8 - 9 - 10 mm
- Bit sockets, slotted 4 - 5,5 - 6,5 mm
- Bit sockets, PH1 - PH2 - PH3
- Bit sockets, PZ1 - PZ2 - PZ3
- Bit sockets, TX T8 - T10 - T15 - T20 - T25 - T27 - T30 - T40
- Bit sockets, TX-TR T10 - T15 - T20 - T25 - T27 - T30 - T40
- Bit sockets, hex 3 - 4 - 5 - 6 - 7 - 8 mm
- Bit sockets, E-TX E4 - E5 - E6 - E7 - E8 - E10 - E11
- Universal joint
- Extension, 50 and 100 mm
- Sliding handle with adapter
- Drive handle
- Bit adapter
- Ratchet handle, 3/8"
- Sockets, 8 - 9 - 10 - 11 - 12 - 13 - 14 - 15 - 16 - 17 - 18 - 19 - 21 - 22 - 24 mm
- Sockets, deep, 10 - 11 - 12 - 13 - 14 - 15 - 17 - 19 mm
- Sockets, E-TX E10 - E11 - E12 - E14 - E16 - E18 - E20
- Spark plug sockets, 16 - 18 - 21 mm
- Universal joint
- Extension, 75 and 250 mm
- Sliding handle adapter
- Adapter, 3/8" to 1/4"
- Ratchet handle, 1/2"
- Sockets, 10 - 11 - 12 - 13 - 14 - 15 - 16 - 17 - 18 - 19 - 21 - 22 - 24 - 27 - 30 - 32 mm
- Universal joint
- Extension, 125 and 250 mm
- Sliding handle adapter

€ 479,-

Art.	Description	€uro
4902-10EP	Empty insert EVA for Art. 4902-10-1	€ 63,20



Art. 4902-02

PRO LINE COMPLETO EVA Wrench and torque wrench tray, 45 pcs.

- Torque wrench Ergokraft, item no. 3235, 1/2", 40-200 Nm
- Combination wrenches, 5,5 - 6 - 7 - 8 - 9 - 10 - 11 - 12 - 13 - 14 - 15 - 16 - 17 - 18 - 19 - 20 - 21 - 22 - 23 - 24 - 27 - 30 - 32 mm
- Adjustable wrench Ergokraft, 150 mm, 0-13 mm
- Adjustable wrench Ergokraft, 200 mm, 0-25 mm
- Spherical head hex keys, 1,5 - 2 - 2,5 - 3 - 4 - 5 - 6 - 7 - 8 - 10 mm
- Key wrenches, TX T10 - T15 - T20 - T25 - T27 - T30 - T40 - T45 - T50

€ 459,-

€ 549,-

Art.	Description	€uro
4902-02EP	Empty insert EVA for Art. 4902-02	€ 56,00



Art. 4902-03

PRO LINE COMPLETO EVA Pliers tray, 13 pcs.

- Combination pliers, 180 mm
- Diagonal cutter, 140 - 160 mm
- Flat round pliers, 200 mm
- Flat round pliers, 200 mm, 45° tip
- Cable stripper, 160 mm
- Cable stripper and crimping pliers
- Universal shears, 150 mm
- Water pump pliers, 250 mm
- Circlip pliers, straight, closes, for internal circlips
- Circlip pliers, straight, opens, for internal circlips
- Circlip pliers, 90° tip, closes, for external circlips
- Circlip pliers, 90° tip, opens, for external circlips
- For Ø 19 - 60 mm circlips

€ 258,-
~~€ 299,-~~

Art.	Description	€uro
4902-03EP	Empty insert EVA for Art. 4902-03	€ 56,00



Art. 4902-04

PRO LINE COMPLETO EVA Screwdriver tray Ergokraft, 21 pcs.

- Screwdriver, slotted 0.6 x 3 - 0.8 x 4 - 1.0 x 5 - 1.1 x 6 - 1.2 x 8 - 1.6 x 10 mm
- Screwdriver, PH1 - PH2
- Screwdriver, short, slotted 1.1 x 6 mm
- Screwdriver, short, PH2
- Screwdriver, TX T8 - T10 - T15 - T20 - T25 - T27 - T30 - T40
- Screwdriver for bits, 1/4"
- Voltage tester, 110-250 V, GS-tested
- Voltage tester, 12V DC

€ 185,-
~~€ 215,-~~

Art.	Description	€uro
4902-04EP	Empty insert EVA for Art. 4902-04	€ 56,00



Art. 4902-05

PRO LINE COMPLETO EVA Striking/cutting and measuring tray, 41 pcs.

- Hammer, 300 g, hickory
- Soft face hammer, 360 g, hickory, PU - nylon inserts Ø 35 mm
- Flat chisel, 18 - 22 mm
- Pin punches, 2 - 3 - 4 - 5 - 6 - 8 mm
- Center punch, no. 1 - no. 2
- Drift punch, 2 - 3 - 4 - 5 - 6 mm
- Telescopic magnetic pick up tool, 130-630 mm, max. 2 kg
- Steel ruler, 300 x 28 mm
- Torch
- Snap-off knife Ergokraft, 9 mm
- Replacement blades, 9 mm
- Snap-off knife Ergokraft, 18 mm
- Replacement blades, 18 mm
- Tape measure, 3 m x 16 mm
- Caliper gauge, digital, 150 mm x 0,01 mm / 6" x 0.0005"

€ 255,-
~~€ 299,-~~

Art.	Description	€uro
4902-05EP	Empty insert EVA for Art. 4902-05	€ 56,00



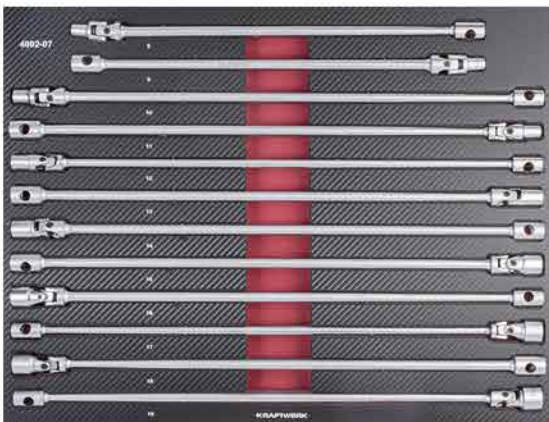
Art. 4902-06

PRO LINE COMPLETO EVA File, saw and drill bit tray Ergokraft, 35 pcs.

- Flat file, 320 mm
- Half round file, 320 mm
- Round file, 320 mm
- Square file, 320 mm
- Triangular file, 320 mm
- Needle file, flat - half round - round - square - triangular - knife
- Hacksaw frame, 300 mm
- Bimetal saw blade, HSS, 300 mm
- Metal saw blade holder Ergokraft
- Spiral drill bit set, HSS-G, 1 - 1.5 - 2 - 2.5 - 3 - 3.5 - 4 - 4.5 - 5 - 5.5 - 6 - 6.5 - 7 - 7.5 - 8 - 8.5 - 9 - 9.5 - 10 mm
- Copper pipe cutter, 3-30 mm
- Internal / external milling cutter for pipes, 6-40 mm

€ 229,-
~~€ 269,-~~

Art.	Description	€uro
4902-06EP	Empty insert EVA for Art. 4902-06	€ 56,00



Art. 4902-07

PRO LINE COMPLETO EVA T-handle articulated wrench tray, 12 pcs.

- T-handle articulated wrenches, 8 - 9 - 10 - 11 - 12 - 13 - 14 - 15 - 16 - 17 - 18 - 19 mm

€ 299,-
~~€ 347,-~~

Art.	Description	€uro
4902-07EP	Empty insert EVA for Art. 4902-07	€ 56,00



Art. 4902-08

PRO LINE COMPLETO EVA Heavy duty socket wrench tray 3/4", 21 pcs.

- Ratchet handle, 500 mm, 43 teeth
- Drive sockets, 19 - 21 - 22 - 23 - 24 - 26 - 27 - 29 - 30 - 32 - 35 - 36 - 38 - 41 - 46 - 50 mm
- Extension with lock, 100 - 200 - 400 mm
- Sliding handle

€ 439,-
~~€ 509,-~~

Art.	Description	€uro
4902-08EP	Empty insert EVA for Art. 4902-08, 4902-080 4902-081	€ 69,00



Art. 4902-080

PRO LINE COMPLETO EVA Socket insert 3/4", 22 pcs.

- 3/4" reversible ratchet 500 mm, 43 teeth
- 3/4" sockets: 19 - 21 - 22 - 23 - 24 - 26 - 27 - 29 - 30 - 32 - 35 - 36 - 38 - 41 - 46 - 50 mm
- 3/4" extensions with lock, 100 - 200 - 400 mm
- 3/4" sliding handle
- with electronic torque adapter Art. 4081-34, 100-500 Nm

€ 595,-
~~€ 668,-~~

Art. 4902-081

PRO LINE COMPLETO EVA Socket insert 3/4", 22 pcs.

- 3/4" reversible ratchet 500 mm, 43 teeth
- 3/4" sockets: 19 - 21 - 22 - 23 - 24 - 26 - 27 - 29 - 30 - 32 - 35 - 36 - 38 - 41 - 46 - 50 mm
- 3/4" extensions with lock, 100 - 200 - 400 mm
- 3/4" sliding handle
- with electronic torque adapter Art. 4081-341, 200-1000 Nm

€ 595,-
~~€ 668,-~~



Art. 4902-09

PRO LINE COMPLETO EVA Heavy duty socket wrench tray 3/4", 21 pcs.

- Ratchet handle, 500-800 mm, extendable 43 teeth
- Drive sockets, 19 - 21 - 22 - 23 - 24 - 26 - 27 - 29 - 30 - 32 - 35 - 36 - 38 - 41 - 46 - 50 mm
- Extension with lock, 100 - 200 - 400 mm
- Sliding handle

€ 449,-

€ 521,-

Art.	Description	€uro
4902-08EP	Empty insert EVA for Art. 4902-09, 4902-090 4902-091	€ 69,00



Art. 4902-090

PRO LINE COMPLETO EVA Socket insert 3/4", 22 pcs.

- 3/4" reversible ratchet 500-800 mm, 43 tooth
- 3/4" sockets: 19 - 21 - 22 - 23 - 24 - 26 - 27 - 29 - 30 - 32 - 35 - 36 - 38 - 41 - 46 - 50 mm
- 3/4" extension with lock, 100 - 200 - 400 mm
- 3/4" sliding handle
- with electronic torque adapter Art. 4081-34, 100-500 Nm

€ 613,-

€ 704,-

Art. 4902-091

PRO LINE COMPLETO EVA Socket insert 3/4", 22 pcs.

- 3/4" reversible ratchet 500-800 mm, 43 tooth
- 3/4" sockets: 19 - 21 - 22 - 23 - 24 - 26 - 27 - 29 - 30 - 32 - 35 - 36 - 38 - 41 - 46 - 50 mm
- 3/4" extension with lock, 100 - 200 - 400 mm
- 3/4" sliding handle
- with electronic torque adapter Art. 4081-341, 200-1000 Nm

€ 599,-

€ 684,-



394 x 168 x 30 mm

Art. 4903-01

PRO LINE COMPLETO EVA Socket Set Insert 1/4", 46 pcs.

- 1/4" Ratchet
- 1/4" Sockets: 3.5 - 4 - 4.5 - 5 - 5.5 - 6 - 7 - 8 - 9 - 10 - 11 - 12 - 13 - 14 mm
- 1/4" Slotted Screwdriver Bit Sockets: 4 - 5.5 - 6.5 mm
- 1/4" PH Screwdriver Bit Sockets: PH1 - PH2 - PH3
- 1/4" PZ Bit Sockets: PZ1 - PZ2 - PZ3
- 1/4" TX Screwdriver Bit Sockets: T8 - T10 - T15 - T20 - T25 - T27 - T30 - T40
- 1/4" Hexagon Screwdriver Bit Sockets 3 - 4 - 5 - 6 - 7 - 8 mm
- 1/4" Bit Adapter
- 1/4" Universal Joint
- Extensions, 50, 100 mm
- 1/4" Flexible Extension: 150 mm
- Sliding Sliding Handle Adapter
- 1/4" Drive Handle
- 1/4" Bit Holder

€ 123,-

€ 146,-

Art.	Description	€uro
4903-01EP	Empty insert EVA for Art. 4903-01	€ 29,90



Art. 4903-02

PRO LINE COMPLETO EVA Socket Set Insert 3/8", 32 pcs.

- 3/8" Ratchet
- Sockets: 8 - 9 - 10 - 11 - 12 - 13 - 14 - 15 - 16 - 17 - 18 - 19 - 21 - 22 - 24 mm
- 3/8" Deep Sockets: 10 - 11 - 12 - 13 - 14 - 15 - 17 - 19 mm
- 3/8" Spark Plug Sockets, 16 - 21 mm
- 3/8" Universal Joint
- Extensions, 75, 250 mm
- 1/2" to 3/8" Sliding Handle Adapter
- 3/8" to 1/4" Adapter
- 1/4" to 3/8" Bit holder

€ 139,-

€ 168,-

Art.	Description	€uro
4903-02EP	Empty insert EVA for Art. 4903-02	€ 29,90



Art. 4903-03

**PRO LINE Socket Set Insert, 1/2",
22 pcs.**

- 1/2" Ratchet
- Sockets: 10 - 11 - 12 - 13 - 14 - 15 - 16 - 17 - 18 - 19 - 21 - 22 - 24 - 27 - 30 - 32 - 34 mm
- Universal Universal Joint extensions, 125 - 250 mm
- Extensions, 125 - 250 mm
- Sliding Handle Adapter, 3/8" to 1/2"

€ 159,-
~~€ 189,-~~

Art.	Description	€uro
4903-03EP	Empty insert EVA for Art. 4903-03	€ 29,90



Art. 4903-04

**PRO LINE COMPLETO EVA Socket tray 1/2",
19 pcs.**

- Sockets, 55 mm, hex 5 - 6 - 7 - 8 - 10 mm
- Sockets, 55 mm, spline M5 - M6 - M8 - M10 - M12
- Sockets, 100 mm, hex 6 - 7 - 8 - 10 - 12 mm
- Sockets, 100 mm, spline M5 - M6 - M8 - M10

€ 99,-
~~€ 128,-~~

Art.	Description	€uro
4903-04EP	Empty insert EVA for Art. 4903-04	€ 29,90



Art. 4903-05

**PRO LINE COMPLETO EVA Socket and Socket tray 1/2",
19 pcs.**

- Drive sockets, E-TX E10 - E12 - E14 - E16 - E18 - E20 - E22 - E24
- Sockets, 55 mm, TX T30 - T40 - T45 - T50 - T55 - T60
- Sockets, 100 mm, TX T30 - T40 - T45 - T50 - T55

€ 99,-
~~€ 129,-~~

Art.	Description	€uro
4903-05EP	Empty insert EVA for Art. 4903-05	€ 29,90



Art. 4903-06

**PRO LINE COMPLETO EVA Combination Spanner Insert,
12 pcs.**

- Size: 8 - 9 - 10 - 11 - 12 - 13 - 14 - 15 - 16 - 17 - 18 - 19 mm
- DIN 3113 Form A, ISO 3318, ISO 7738
- Chrome Alloy Steel

€ 79,90
~~€ 98,-~~

Art.	Description	€uro
4903-06EP	Empty insert EVA for Art. 4903-06	€ 29,90



Art. 4903-07

**PRO LINE Combination Spanner Insert,
8 pcs.**

- Size: 5.5 - 6 - 7 - 20 - 21 - 22 - 23 - 24 mm
- DIN 3113 Form A, ISO 3318, ISO 7738
- Chrome Alloy Steel

€ 89,-
~~€ 118,-~~

Art.	Description	€uro
4903-07EP	Empty insert EVA for Art. 4903-07	€ 29,90



Art. 4903-08

**PRO LINE Double Ended Ring Spanner Insert,
8 pcs.**

- Size: 6 x 7 - 8 x 9 - 10 x 11 - 12 x 13 - 14 x 15 - 16 x 17 - 18 x 19 - 20 x 22 mm
- Offset 70° on both sides
- DIN 838, ISO 3318, ISO 1085, ISO 10104
- Chrome Alloy Steel

€ 79,-
~~€ 100,-~~

Art.	Description	€uro
4903-08EP	Empty insert EVA for Art. 4903-08	€ 29,90



Art. 4903-09

PRO LINE COMPLETO EVA Ergokraft Screwdriver Insert , 9 pcs.

- Slotted Screwdrivers 0.8 x 4 - 1.0 x 5 - 1.1 x 6 - 1.2 x 8 mm
- PH Screwdriver PH1 - PH2
- Stubby Slotted Screwdriver 1.1 x 6 mm
- Stubby PH Screwdriver PH2
- Voltage tester, 12 V DC
- With ergonomic handle

€ 62,-
~~€ 82,-~~

Art.	Description	€uro
4903-09EP	Empty insert EVA for Art. 4903-09	€ 29,90



Art. 4903-10

PRO LINE COMPLETO EVA Ergokraft Screwdriver Insert, 8 pcs.

- TX Screwdriver: T8 - T10 - T15 - T20 - T25 - T27 - T30 - T40
- With ergonomic handle

€ 58,-
~~€ 75,-~~

Art.	Description	€uro
4903-10EP	Empty insert EVA for Art. 4903-10	€ 29,90



Art. 4903-11

PRO LINE COMPLETO EVA Pliers tray Ergokraft, 4 pcs.

- Combination pliers, 180 mm
- Diagonal cutter, 160 mm
- Flat round pliers, 200 mm
- Water pump pliers, 250 mm

€ 95,-
~~€ 118,-~~

Art.	Description	€uro
4903-11EP	Empty insert EVA for Art. 4903-11	€ 29,90



Art. 4903-12

PRO LINE COMPLETO EVA Circlip Pliers Insert, 4 pcs.

- Circlip Pliers: A2, A21, J2, J21
- For Criclips from Ø 19 - 60 mm

€ 79,-
~~€ 98,-~~

Art.	Description	€uro
4903-12EP	Empty insert EVA for Art. 4903-12	€ 29,90



Art. 4903-13

PRO LINE COMPLETO EVA PRO LINE Striking Tool Insert, 11 pcs.

- German Engineer Hammer, hickory: 500 g
- Soft Face Hammer, hickory, 35 mm PU - nylon inserts: 360 g
- Flat Chisel, 18 - 22 mm
- Pin Punches, 2 - 3 - 4 - 5 - 6 - 8 mm
- Center Punch: No. 2

€ 118,-
~~€ 142,-~~

Art.	Description	€uro
4903-13EP	Empty insert EVA for Art. 4903-13	€ 29,90



Art. 4903-15

PRO LINE COMPLETO EVA HIGHTECH Pliers Insert, 4 pcs.

- Combination Plier: 180 mm / 7"
- Diagonal Cutter, 160 mm / 6.1/4"
- Flat Round Plier: 205 mm / 8"
- Water Pump Plier: 240 mm / 9.1/2"

€ 134,-
~~€ 169,-~~

Art.	Description	€uro
4903-15EP	Empty insert EVA for Art. 4903-15	€ 29,90



Art. 4903-16

PRO LINE COMPLETO EVA Combination wrench tray Clickraft, 12 pcs.

- Ratcheting combination wrenches, 72 teeth, 8 - 9 - 10 - 11 - 12 - 13 - 14 - 15 - 16 - 17 - 18 mm
- Ratcheting combination wrench, 75 teeth, 19 mm
- Ratcheting angle 5°



€ 209,-
~~€ 245,-~~

Art.	Description	€uro
4903-06EP	Empty insert EVA for Art. 4903-16	€ 29,90



Art. 4903-17

PRO LINE COMPLETO EVA Dual ratchet combination wrench tray Clickraft, 12 pcs.

- Dual ratcheting combination wrenches, 72 teeth, 8 - 9 - 10 - 11 - 12 - 13 - 14 - 15 - 16 - 17 - 18 mm
- Dual ratcheting combination wrench, 75 teeth, 19 mm
- Ratcheting angle 5°



€ 219,-
~~€ 259,-~~

Art.	Description	€uro
4903-06EP	Empty insert EVA for Art. 4903-17	€ 29,90



Art. 4903-18

PRO LINE COMPLETO EVA Reversible ratchet combination wrench tray Clickraft, 12 pcs.

- Reversible ratcheting combination wrenches, 72 teeth, 8 - 9 - 10 - 11 - 12 - 13 - 14 - 15 - 16 - 17 - 18 mm
- Reversible ratchet combination wrench, 75 teeth, 19 mm
- Ratcheting angle 5°
- Ring with beaded edge (cap-stop)



€ 235,-
~~€ 279,-~~

Art.	Description	€uro
4903-06EP	Empty insert EVA for Art. 4903-18	€ 29,90



Art. 4903-19

PRO LINE COMPLETO EVA Striking cap screwdriver tray Ergokraft, 8 pcs.

- Striking cap screwdrivers, slotted 5.5 x 100 - 6.5 x 125 - 8.0 x 150 - 10.0 x 175 mm
- Striking cap screwdrivers, PH1 x 75 - PH2 x 100 mm
- Striking cap screwdrivers, PZ1 x 75 - PZ2 x 100 mm

€ 99,-
~~€ 108,-~~

Art.	Description	€uro
4903-19EP	Empty insert EVA for Art. 4903-19	€ 29,90



Art. 4903-21

PRO LINE COMPLETO EVA Ballpoint T-screwdriver tray Ergokraft, 7 pcs.

- Ball head T-handle screwdrivers, hex 3 - 4 - 5 - 6 - 7 - 8 - 10 mm

€ 69,90
~~€ 89,-~~

Art.	Description	€uro
4903-21EP	Empty insert EVA for Art. 4903-21	€ 29,90



Art. 4903-22

PRO LINE T-Handle Wrenches Insert, 7 pcs.

- TX T-Handle Screwdriver: TX T10 - T15 - T20 - T25 - T27 - T30 - T40
- With ergonomic 2 component handle

€ 75,-
~~€ 95,-~~

Art.	Description	€uro
4903-22EP	Empty insert EVA for Art. 4903-22	€ 29,90



Art. 4903-23

PRO LINE COMPLETO EVA Cutting Tool Insert, 18 pcs.

- Ergokraft Snap-Off Knife: 9 mm
- Replacement Blades: 9 mm
- Ergokraft Snap-Off Knife: 18 mm
- Replacement Blades: 18 mm
- Professional Hacksaw: 300 mm

€ 52,-
~~€ 66,-~~

Art.	Description	€uro
4903-23EP	Empty insert EVA for Art. 4903-23	€ 29,90



Art. 4903-24

PRO LINE COMPLETO EVA Files tray Ergokraft, 11 pcs.

- Flat file, 320 mm
- Half round file, 320 mm
- Round file, 320 mm
- Square file, 320 mm
- Triangular file, 320 mm
- Needle file, flat - half round - round - square - triangular - knife

€ 69,90
~~€ 81,-~~

Art.	Description	€uro
4903-24EP	Empty insert EVA for Art. 4903-24	€ 29,90



Art. 4903-28

PRO LINE COMPLETO EVA Plier/shear tray, 4 pcs.

- Pincers, 200 mm
- Cable stripper, 160 mm
- Cable stripper and crimping pliers Ergokraft
- Universal shears Ergokraft, 150 mm

€ 82,-
~~€ 96,-~~

Art.	Description	€uro
4903-28EP	Empty insert EVA for Art. 4903-28	€ 29,90



Art. 4903-29

PRO LINE COMPLETO EVA Elbow milled open wrench tray, 13 pcs.

- Elbow milled open wrench, double-hex x hex 7 - 8 - 9 - 10 - 11 - 12 - 13 - 14 - 15 - 16 - 17 - 18 - 19 mm

€ 135,-
~~€ 153,-~~

Art.	Description	€uro
4903-29EP	Empty insert EVA for Art. 4903-29	€ 29,90



Art. 4903-30

PRO LINE COMPLETO EVA Elbow milled open wrench tray, 4 pcs.

- Elbow milled open wrench, double-hex x hex, 20 - 21 - 22 - 24 mm

€ 92,-
~~€ 119,-~~

Art.	Description	€uro
4903-30EP	Empty insert EVA for Art. 4903-30	€ 29,90



Art. 4903-31

PRO LINE COMPLETO EVA Elbow milled open wrench tray, 3 pcs.

- Elbow milled open wrench, double-hex x hex, 27 - 30 - 32 mm

€ 124,-
~~€ 158,-~~

Art.	Description	€uro
4903-31EP	Empty insert EVA for Art. 4903-31	€ 29,90



Art. 4903-33

PRO LINE COMPLETO EVA Impact wrench tray, 17 pcs.

- Impact wrench, 920 Nm
- Impact sockets Art. 3833, 10 - 12 - 13 - 14 - 15 - 17 - 19 - 21 - 22 - 24 mm
- Impact sockets, for aluminum rims, 17 - 19 - 21 - 22 - 24 mm
- Extension, 125 mm
- CrMo

€ 309,-
~~€ 385,-~~

Art.	Description	€uro
4903-33EP	Empty insert EVA for Art. 4903-33	€ 29,90



Art. 4903-34

PRO LINE COMPLETO EVA socket insert, 17 pcs.

- Impact wrench, 744 Nm
- Impact sockets Art. 3833, 10 - 12 - 13 - 14 - 15 - 17 - 19 - 21 - 22 - 24 mm
- Impact socket spanner for aluminium rims, 17 - 19 - 21 - 22 - 24 mm
- Extension: 125 mm
- Chrome Molybdenum

€ 297,-
~~€ 342,-~~

Art.	Description	€uro
4903-33EP	Empty insert EVA for Art. 4903-34	€ 29,90



Art. 105.203.000

PRO LINE COMPLETO EVA Impact Socket insert, 1/2", 20 pcs.

- 1/2" Impact Sockets: 10 - 11 - 12 - 13 - 14 - 15 - 16 - 17 - 18 - 19 - 21 - 22 - 24 - 27 - 30 - 32 - 36 mm
- 1/2" Impact Extension: 125 mm

€ 103,-
~~€ 127,-~~

Art.	Description	€uro
195.203.000	Empty insert EVA for Art. 105.203.000	€ 20,70



Art. 105.204.000

PRO LINE COMPLETO Impact Socket insert, 1/2", 15 pcs.

- 1/2" Deep Impact Sockets: 13 - 14 - 15 - 16 - 17 - 18 - 19 - 21 - 22 - 24 - 27 - 30 - 32 - 36 mm
- 1/2" Impact Extension: 125 mm

€ 135,-
~~€ 169,-~~

Art.	Description	€uro
195.204.000	Empty insert EVA for Art. 105.204.000	€ 20,70



Art. 105.200.000

EVA3 Empty Insert, Type A

- Insert in special high density soft foam (EVA) with carbon look
- Suitable for small parts and tools
- 2x compartments of 130 x 170 mm

€ 16,70
~~€ 20,20~~



Art. 105.201.000

EVA3 Empty Insert, Type B

- Insert in special high density soft foam (EVA) with carbon look
- Suitable for small parts and tools
- 3x compartments of 130 x 105 mm

€ 16,70
~~€ 20,20~~



Art. 105.202.000

EVA3 Empty Insert, Type C

- Insert in special high density soft foam (EVA) with carbon look
- Suitable for small parts and tools
- 1x compartments of 55 x 350 mm
- 2x compartments of 55 x 170 mm

€ 16,70
~~€ 20,20~~



Art. 4903-00EP

EVA3 supplementary module

- To complete drawer gaps
- 1 piece

€ 3,-



Art. 4919-03

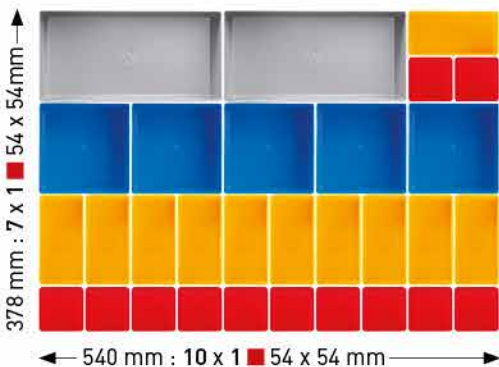
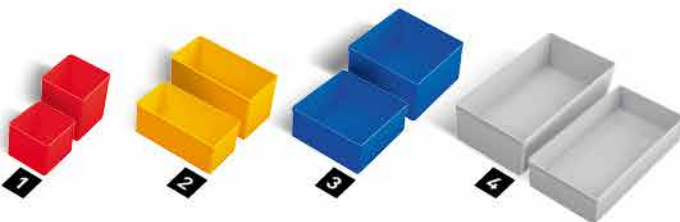
PRO LINE Bodywork tool tray, 16 pcs.

- Panel beating tools, wedge profile - comma dolly - toe dolly
- Shrinking and flat faced bumping hammer
- Flat faced bumping and round finishing pick hammer
- Panel beating and planishing hammer, serrated
- Panel beating and planishing hammer, straight
- Panel beating and planishing hammer, domed
- Auto body file clamp, 350 mm
- Auto body file blades, 9/" - 12/" - 15/"
- Auto body spoon bar
- Auto body chisel
- Mini compressed air blow gun
- Snap-off knives

€ 519,-
~~€ 593,-~~

Art.	Description	€uro
4919-03E	Empty PS tray for Art. 4919-03	€ 50,90

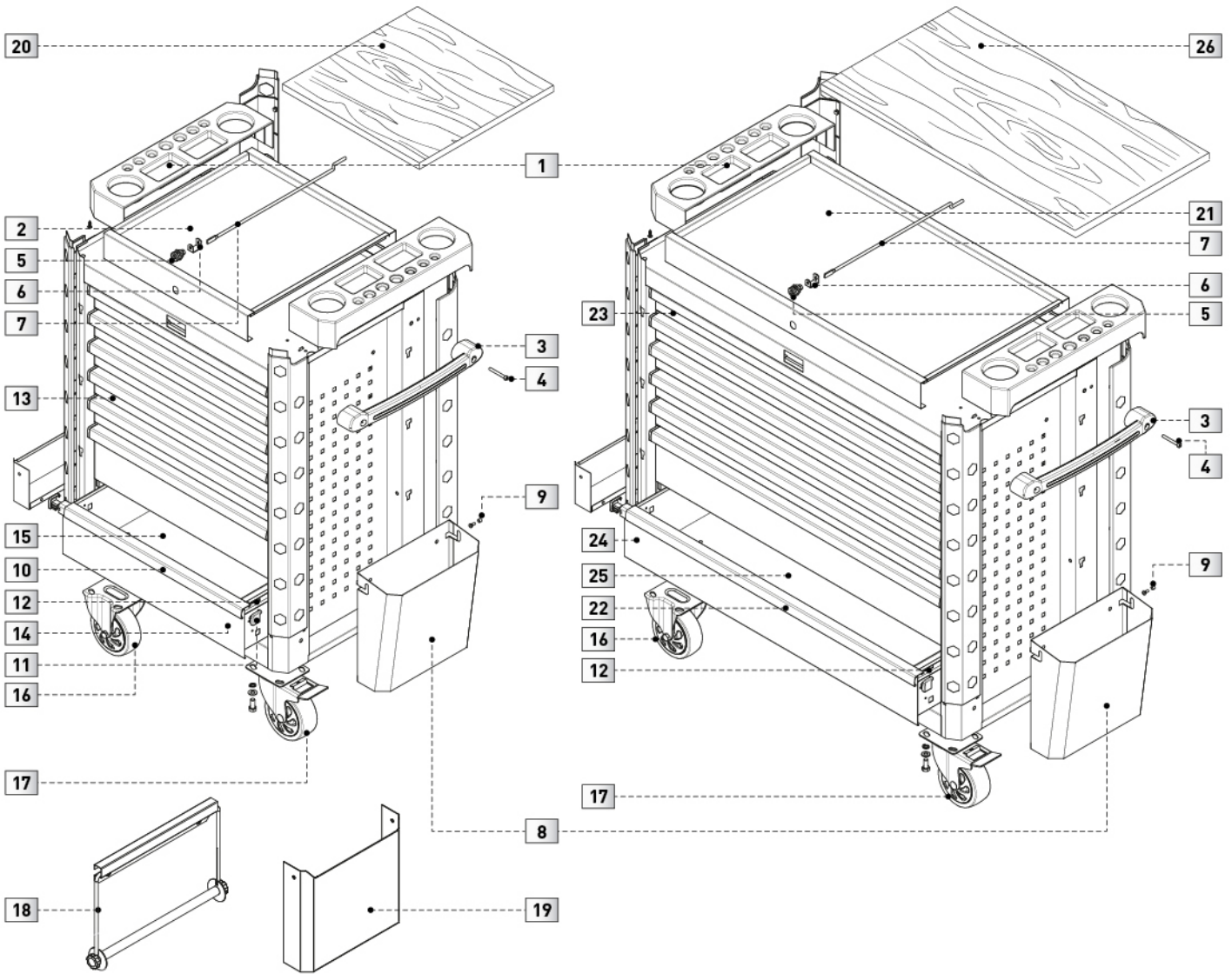
STORAGE BOXES



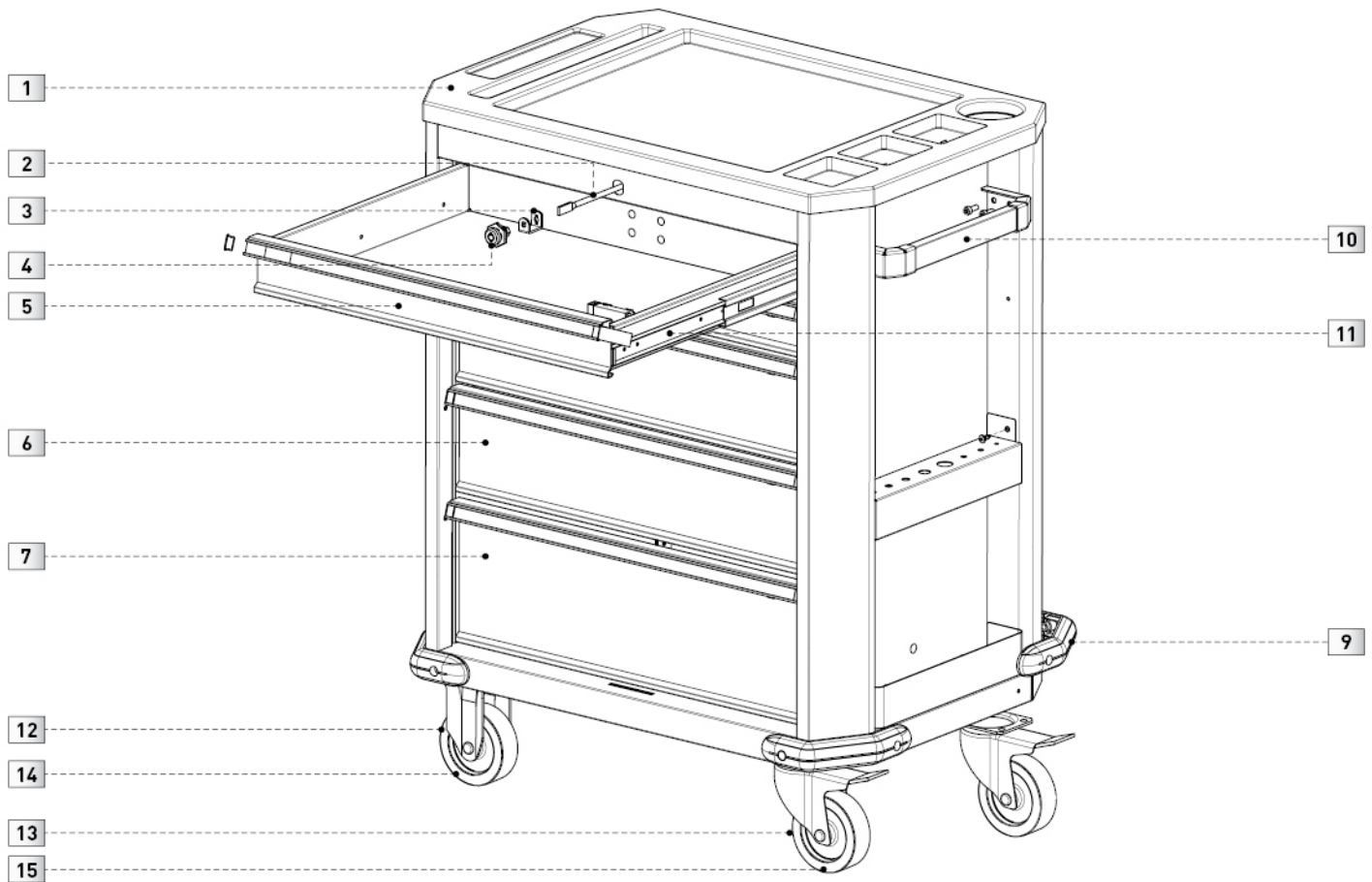
Art.	Description	€uro
198.000.018	Insert bin No. 1-45 1 W 54 x D 54 x H 45 mm	€ 1,10
198.000.022	Insert bin No. 1-63 1 W 54 x D 54 x H 63 mm	€ 1,40
198.000.019	Insert bin No. 2-45 2 W 108 x D 54 x H 45 mm	€ 1,50
198.000.023	Insert bin No. 2-63 2 W 108 x D 54 x H 63 mm	€ 1,90
198.000.020	Insert bin No. 3-45 3 W 108 x D 108 x H 45 mm	€ 2,30
198.000.024	Insert bin No. 3-63 3 W 108 x D 108 x H 63 mm	€ 2,80
198.000.021	Insert bin No. 4-45 4 W 108 x D 216 x H 45 mm	€ 3,40
198.000.025	Insert bin No. 3-63 4 W 108 x D 216 x H 63 mm	€ 4,60



SPARE PARTS FOR TOOL CABINETS



Nr.	Art.	Description	Pcs.	Trolley Model	€uro
1	3934-01	Lateral ABS cover	1	3934 / 3935 / 3934NG / 3935NG	€ 24,70
2	3934-02	Top board for 3934	1	3934 / 3934NG	€ 45,00
3	3934-04	Handle	1	3934 / 3935 / 3934NG / 3935NG	€ 14,70
4	3934-05	Screws for handle M6 x 55	1	3934 / 3935 / 3934NG / 3935NG	€ 0,50
5	3934-06	Lock 90°	1	3934 / 3935 / 3934NG / 3935NG	€ 6,70
6	3934-07	Lock link	1	3934 / 3935 / 3934NG / 3935NG	€ 0,40
7	3934-08	Lock pole	1	3934 / 3935 / 3934NG / 3935NG	€ 1,70
8	3934-09	Trash can	1	3934 / 3935 / 3934NG / 3935NG	€ 20,50
9	3934-10	Sleeve	1	3934 / 3935 / 3934NG / 3935NG	€ 0,80
10	3934-14	Aluminium line for 3934	1	3934 / 3934NG	€ 4,00
11	3934-15	Plastic close cover	1	3934 / 3934NG	€ 0,60
12	3934-17	Ball bearing drawer guide 16"	2	3934 / 3935 / 3934NG / 3935NG	€ 14,70
13	3934-96	Small drawer for 3934 trolley	1	3934 / 3934NG	€ 123,10
14	3934-95	Large drawer for 3934 trolley	1	3934 / 3934NG	€ 117,70
15	3934-19	Drawer liner EVA for 3934	1	3934 / 3935NG	€ 1,70
16	3934-21	Fixed wheel without brake for 3934/35	1	3934 / 3935 / 3934NG / 3935NG	€ 28,90
17	3934-22	Turning wheel with brake for 3934/35	1	3934 / 3935 / 3934NG / 3935NG	€ 41,80
18	3934-97	Paper roll holder for 3934/3935	1	3934 / 3935 / 3934NG / 3935NG	€ 20,10
19	3934-98	Documents holder for 3934/3935	1	3934 / 3935 / 3934NG / 3935NG	€ 23,40
20	3934-99	MDF wooden plate for 3934	1	3934 / 3934NG	€ 34,00
21	3935-02	Top board for 3935	1	3935 / 3935NG	€ 74,90
22	3935-14	Aluminium line for 3935	1	3935 / 3935NG	€ 6,70
23	3935-23	Small drawer for 3935 trolley	1	3935 / 3935NG	€ 107,00
24	3935-24	Large drawer for 3935 trolley	1	3935 / 3935NG	€ 128,40
25	3935-19	Drawer liner EVA for 3935	1	3935 / 3935NG	€ 2,50
26	3935-99	MDF wooden plate for 3935	1	3935 / 3935NG	€ 55,00



Nr.	Art.	Description	Pcs.	Trolley Model	€uro
1	2907-001	ABS cover for 2904/05/07	1	1903 / 1905 / 2904 / 2905 / 2907	€ 32,10
2	2907-004	Lock pole 438 mm	1	1903 / 1905 / 2904 / 2905 / 2907	€ 1,90
3	2907-005	Lock link	1	1903 / 1905 / 2904 / 2905 / 2907	€ 0,40
4	2907-006	Lock 180° with 2 keys/clip	1	1903 / 1905 / 2904 / 2905 / 2907	€ 12,80
5	2907-012	Drawer 54 mm high	1	1903 / 1905 / 2905 / 2907	€ 57,80
6	2907-013	Drawer 75 mm high	1	1903 / 1905 / 2905 / 2907	€ 71,70
7	2907-014	Drawer 187 mm high	1	1903 / 1905 / 2905 / 2907	€ 87,80
9	2907-018	Plastic corner and plug	1	1903 / 1905 / 2905 / 2907	€ 1,40
10	2907-021	Handle	1	1903 / 1905 / 2904 / 2905 / 2907	€ 8,10
11	191.230.000	Rail set, for P207/P206/P205/P204	2	2904NG / 2905NG / 2907NG	€ 21,00
12	199.001.001	Fixed castor without break for 2905NG and 2907NG, 125 mm	1	2905NG / 2907NG	€ 15,50
13	199.001.002	Swivel castor with break for 2905NG and 2907NG, 125 mm	1	2905NG / 2907NG	€ 24,70
14	1903-15	Fixed wheel for 2905 and 2907, 100 mm	1	2905 / 2907	€ 15,80
15	1903-16	Turning wheel with break for 2905 and 2907, 100 mm	1	2905 / 2907	€ 24,70



Subject to changes of specifications, prices and availability.

Prices €
(excl. V.A.T.)

01.07.2022 - 30.09.2022

Your specialized dealer:



KRAFTWERK® Online Catalog: www.kraftwerktools.fr

